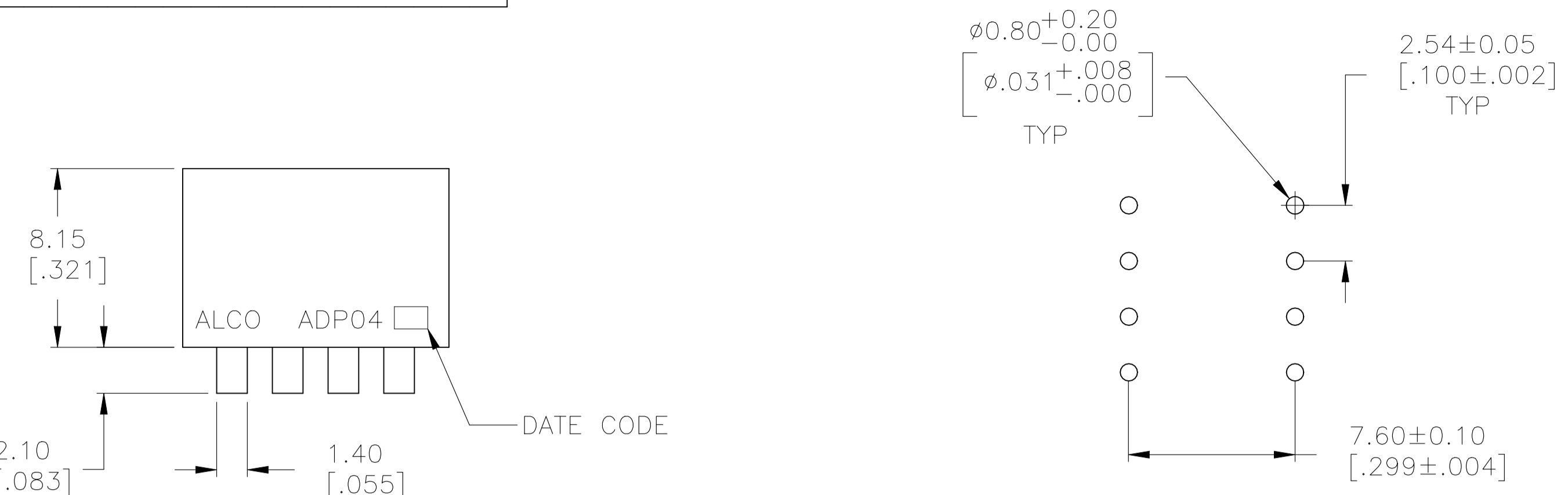
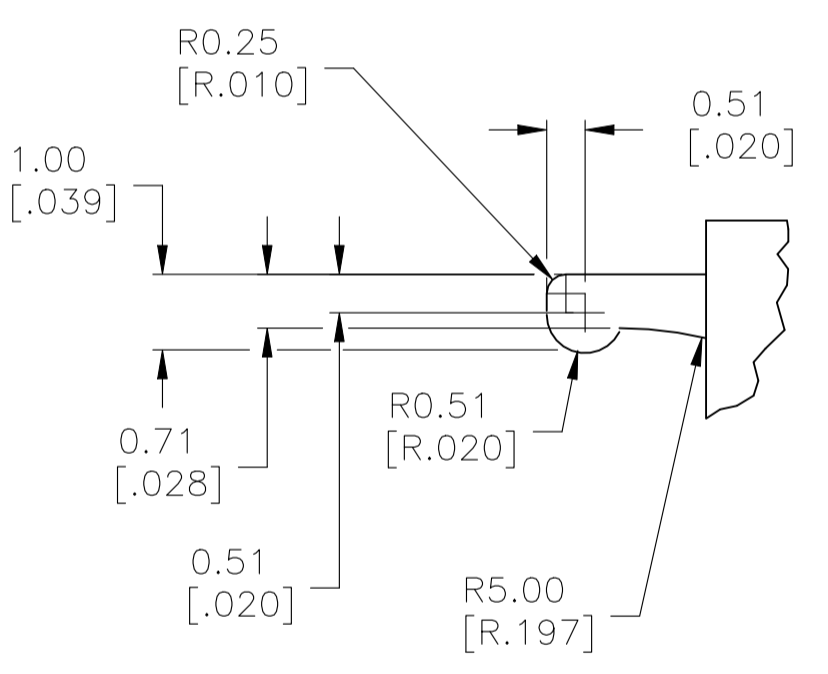
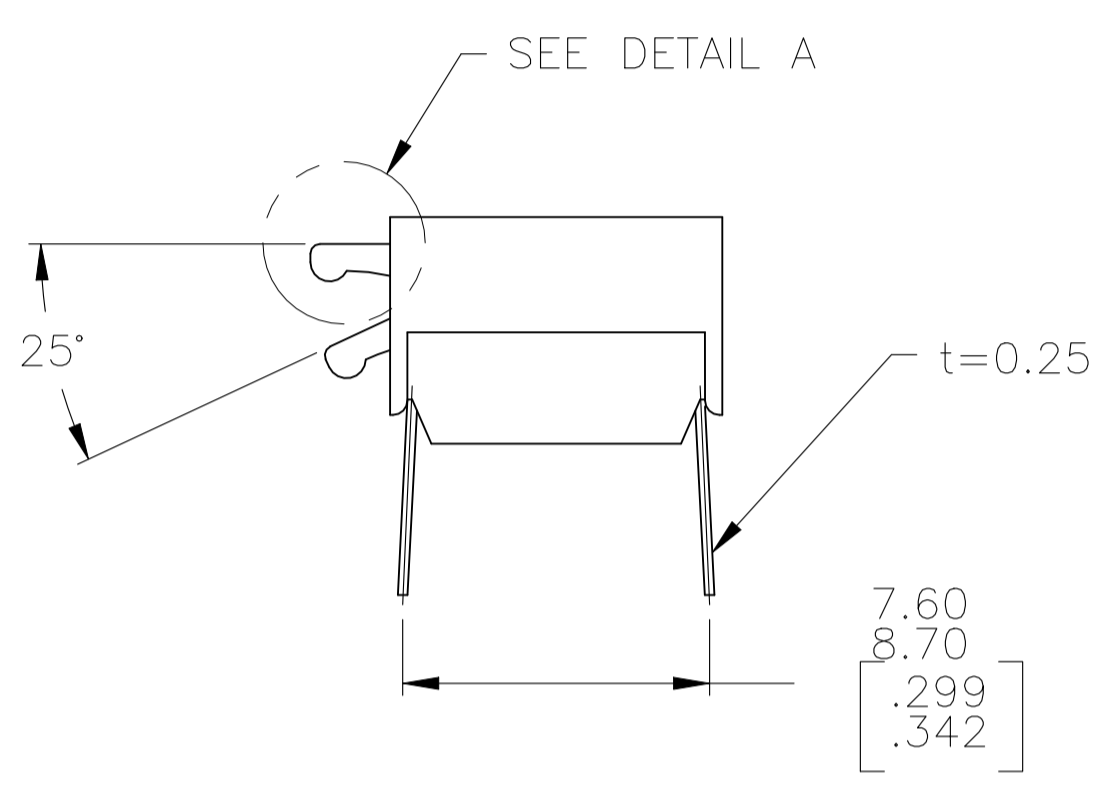


REVISIONS				
REV	DATE	BY	APP'D	DESCRIPTION
E	17AUG2021	GSK	JB	REVISED PER ECR-21-005929



RECOMMENDED HOLE LAYOUT



DETAIL A
SCALE: 10:1

- CONTACT PRESSURE: 2.9N min.
 - CLEANING: AQUEOUS SOLUTION OR SOLVENT.
 - PACKAGING OPTIONS- CLEAR TUBES OR TAPE AND REEL PER EIA-481 SWITCH SUPPLIED IN THE "OFF" POSITION UNLESS "ON" IS SPECIFIED IN THE ALCO PART NUMBER (SEE PART NUMBER TABLE FOR ALL OPTIONS)
 - TOP & FRONT SURFACES TO BE CLEARLY MARKED AS SHOWN.
 - SWITCHES TO BE BLACK WITH WHITE ACTUATORS AND MARKINGS.
 - ALL MATERIAL AND FINISHES SHALL COMPLY WITH EU DIRECTIVE 2002/95/EC OF 27JAN2003 (ROHS)
- ⚠️ OBSOLETE PARTS: OBSOLETE CIS STREAMLINING PER D.RENAUD/D.SINISI

SEE SHEET 2 FOR SURFACE MOUNT OPTIONS AND DIMENSIONS.

REV	DESCRIPTION	QTY	LEAD	DATE	BY	APP'D
OBSOLETE	TAPE & REEL	2	7.06 [.278]			ADPA02STR04
OBSOLETE	TUBE	10	27.38 [1.078]			ADPA10SA04
OBSOLETE	TUBE	10	27.38 [1.078]			ADPA10S04
OBSOLETE	TUBE	10	27.38 [1.078]			ADPA1004
OBSOLETE	TUBE	9	24.84 [.978]			ADPA09SA04
OBSOLETE	TUBE	9	24.84 [.978]			ADPA09S04
OBSOLETE	TUBE	9	24.84 [.978]			ADPA0904
OBSOLETE	TUBE	8	22.30 [.878]			ADPA08SA04
OBSOLETE	TUBE	8	22.30 [.878]			ADPA08S04
OBSOLETE	TUBE	8	22.30 [.878]			ADPA0804
OBSOLETE	TUBE	7	19.76 [.778]			ADPA07SA04
OBSOLETE	TUBE	7	19.76 [.778]			ADPA07S04
OBSOLETE	TUBE	7	19.76 [.778]			ADPA0704
OBSOLETE	TUBE	6	17.22 [.678]			ADPA06SA04
OBSOLETE	TUBE	6	17.22 [.678]			ADPA06S04
OBSOLETE	TUBE	6	17.22 [.678]			ADPA0604
OBSOLETE	TUBE	5	14.68 [.578]			ADPA05SA04
OBSOLETE	TUBE	5	14.68 [.578]			ADPA05S04
OBSOLETE	TUBE	5	14.68 [.578]			ADPA0504
OBSOLETE	TUBE	4	12.14 [.478]			ADPA04SA04
OBSOLETE	TUBE	4	12.14 [.478]			ADPA04S04
OBSOLETE	TUBE	4	12.14 [.478]			ADPA0404
OBSOLETE	TUBE	2	7.06 [.278]			ADPA02SA04
OBSOLETE	TUBE	2	7.06 [.278]			ADPA0204
OBSOLETE	TAPE & REEL SWITCH ON	10	27.38 [1.078]			ADP10STR0N04
OBSOLETE	TAPE & REEL	10	27.38 [1.078]			ADP10STR04
OBSOLETE	TUBE	10	27.38 [1.078]			ADP10SA04
OBSOLETE	TUBE	10	27.38 [1.078]			ADP10S04
OBSOLETE	TUBE	10	27.38 [1.078]			ADP1004
OBSOLETE	TAPE & REEL SWITCH ON	9	24.84 [.978]			ADP09STR0N04
OBSOLETE	TAPE & REEL	9	24.84 [.978]			ADP09STR04
OBSOLETE	TUBE	9	24.84 [.978]			ADP09SA04
OBSOLETE	TUBE	9	24.84 [.978]			ADP09S04
OBSOLETE	TUBE	9	24.84 [.978]			ADP0904
OBSOLETE	TAPE & REEL SWITCH ON	8	22.30 [.878]			ADP08STR0N04
OBSOLETE	TAPE & REEL	8	22.30 [.878]			ADP08STR04
OBSOLETE	TUBE	8	22.30 [.878]			ADP08SA04
OBSOLETE	TUBE	8	22.30 [.878]			ADP08S04
OBSOLETE	TUBE	8	22.30 [.878]			ADP0804
OBSOLETE	TAPE & REEL SWITCH ON	7	19.76 [.778]			ADP07STR0N04
OBSOLETE	TAPE & REEL	7	19.76 [.778]			ADP07STR04
OBSOLETE	TUBE	7	19.76 [.778]			ADP07SA04
OBSOLETE	TUBE	7	19.76 [.778]			ADP07S04
OBSOLETE	TUBE	7	19.76 [.778]			ADP0704
OBSOLETE	TAPE & REEL SWITCH ON	6	17.22 [.678]			ADP06STR0N04
OBSOLETE	TAPE & REEL	6	17.22 [.678]			ADP06STR04
OBSOLETE	TUBE	6	17.22 [.678]			ADP06SA04
OBSOLETE	TUBE	6	17.22 [.678]			ADP06S04
OBSOLETE	TUBE	6	17.22 [.678]			ADP0604
OBSOLETE	TAPE & REEL SWITCH ON	5	14.68 [.578]			ADP05STR0N04
OBSOLETE	TAPE & REEL	5	14.68 [.578]			ADP05STR04
OBSOLETE	TUBE	5	14.68 [.578]			ADP05SA04
OBSOLETE	TUBE	5	14.68 [.578]			ADP05S04
OBSOLETE	TUBE	5	14.68 [.578]			ADP0504
OBSOLETE	TAPE & REEL SWITCH ON	4	12.14 [.478]			ADP04STR0N04
OBSOLETE	TAPE & REEL	4	12.14 [.478]			ADP04STR04
OBSOLETE	TUBE	4	12.14 [.478]			ADP04SA04
OBSOLETE	TUBE	4	12.14 [.478]			ADP04S04
OBSOLETE	TUBE	4	12.14 [.478]			ADP0404
OBSOLETE	TAPE & REEL SWITCH ON	2	7.00±0.50 [.276±.020]			ADP02STR0N04
OBSOLETE	TAPE & REEL	2	7.00±0.50 [.276±.020]			ADP02STR04
OBSOLETE	TUBE	2	7.00±0.50 [.276±.020]			ADP02SA04
OBSOLETE	TUBE	2	7.00±0.50 [.276±.020]			ADP02S04
OBSOLETE	TUBE	2	7.00±0.50 [.276±.020]			ADP0204
	PACKAGING	Pole	Dim L	Old T&B P/N		P/N

SPECIFICATIONS:

MATERIAL:
CASE: PPS 94V-0, BLACK
COVER: PPS 94V-0, BLACK
ACTUATOR: NYLON PA6T 94V-0, WHITE
MOVING CONTACT: COPPER ALLOY, GOLD OVER NICKEL PLATE.
FIXED CONTACT/TERMINAL: COPPER ALLOY, GOLD OVER NICKEL PLATE.

ELECTRICAL:
MAX RATING (SWITCHING) 100mA@5VDC (Ampere MAX.) 25mA@24VDC (Voltage MAX.)
MIN (SWITCHING) 0.10 MICROAMPS @1 MILLIVOLT,
MAX (NON-SWITCHING) 1 AMP @ 5V DC INITIAL
CONTACT RESISTANCE: 50 MILLIOHMS MAX.
INSULATION RESISTANCE: 100 MEGOHMS MIN. @ 100 VDC.
DIELECTRIC STRENGTH: 300V AC FOR 1 MINUTE.
ELECTRICAL LIFE, 1,000 CYCLES (10mA@5VDC)"
WITHSTAND VOLTAGE, 300VAC for 1 min BETWEEN THE SAME POLES".

MECHANICAL:
ACTUATION FORCE: 800g MAX.

ENVIRONMENTAL:
OPERATING TEMPERATURE: -22°F TO +185°F (-30°C TO +85°C).
STORAGE TEMPERATURE: -40°F TO +121°F (-40°C TO +85°C).
SOLDER HEAT RESISTANCE TO 265±3°C FOR 8±2 SECONDS.
SOLDERABILITY PER JIS C 0050 & JIS C 0053

THIS DRAWING IS A CONTROLLED DOCUMENT.

DIMENSIONS: mm [INCHES]	TOLERANCES UNLESS OTHERWISE SPECIFIED:	DIN M. BINNER 14FEB05	15FEB05
0. PLC ± -	1. PLC ± -	2. SARVER 15FEB05	
3. PLC ± -	4. PLC ± -		
ANGLES ± 1°			

MATERIAL: - FINISH: -

APPROVED: M. SARVER 15FEB05

NAME: -

APPLICATION SPEC: -

SIZE: A1

SCALE: 1:1

SHEET 1 OF 2

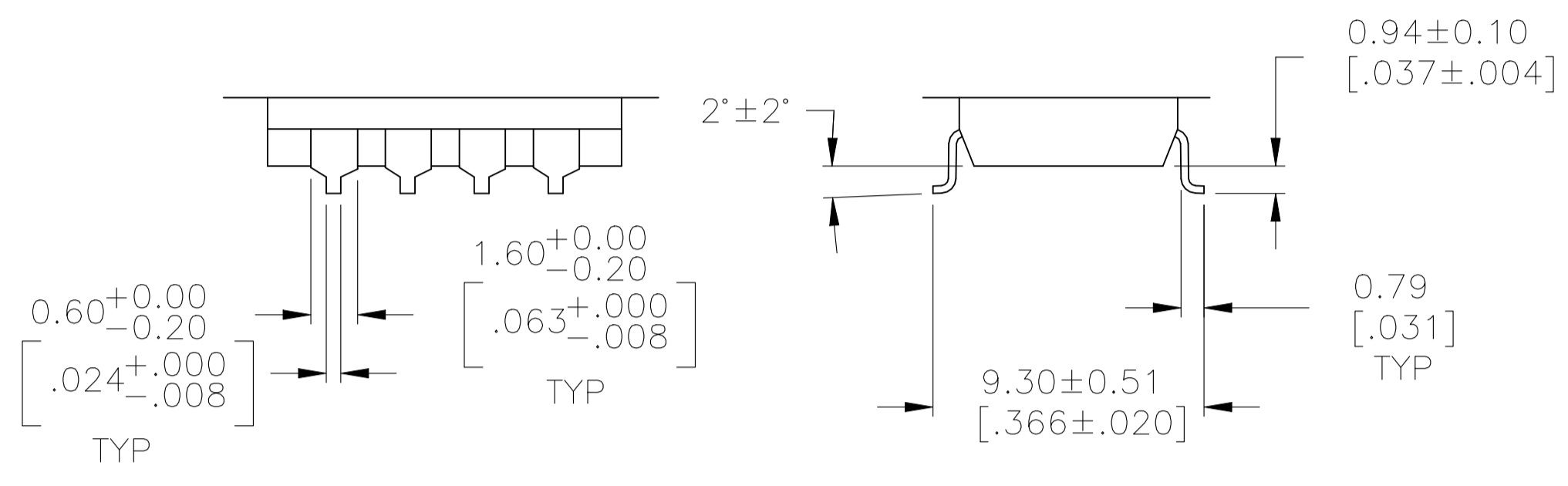
REV E

CUSTOMER DRAWING

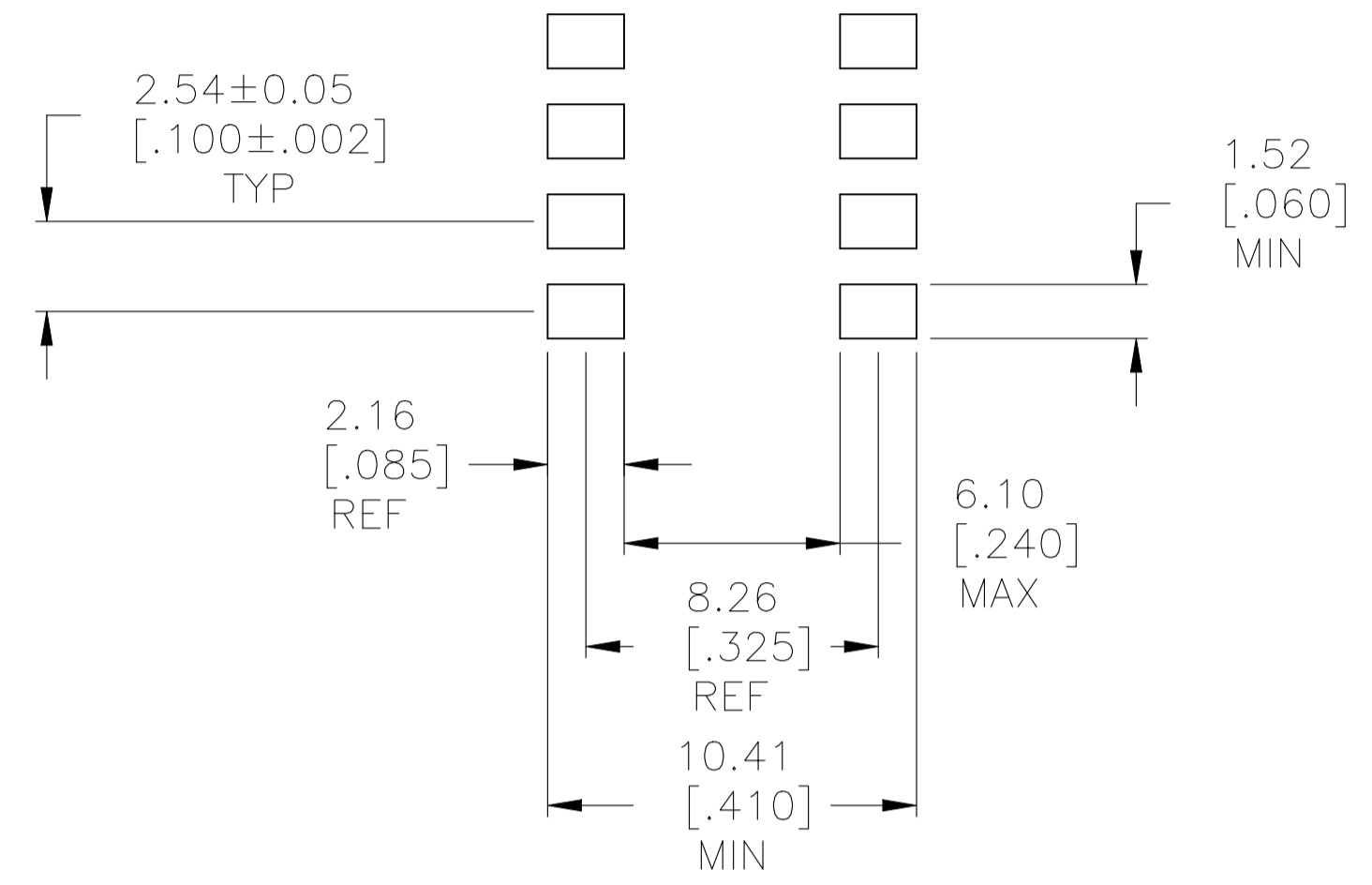
STE TE Connectivity

DIP SWITCH ASSEMBLY ADP/PA SERIES

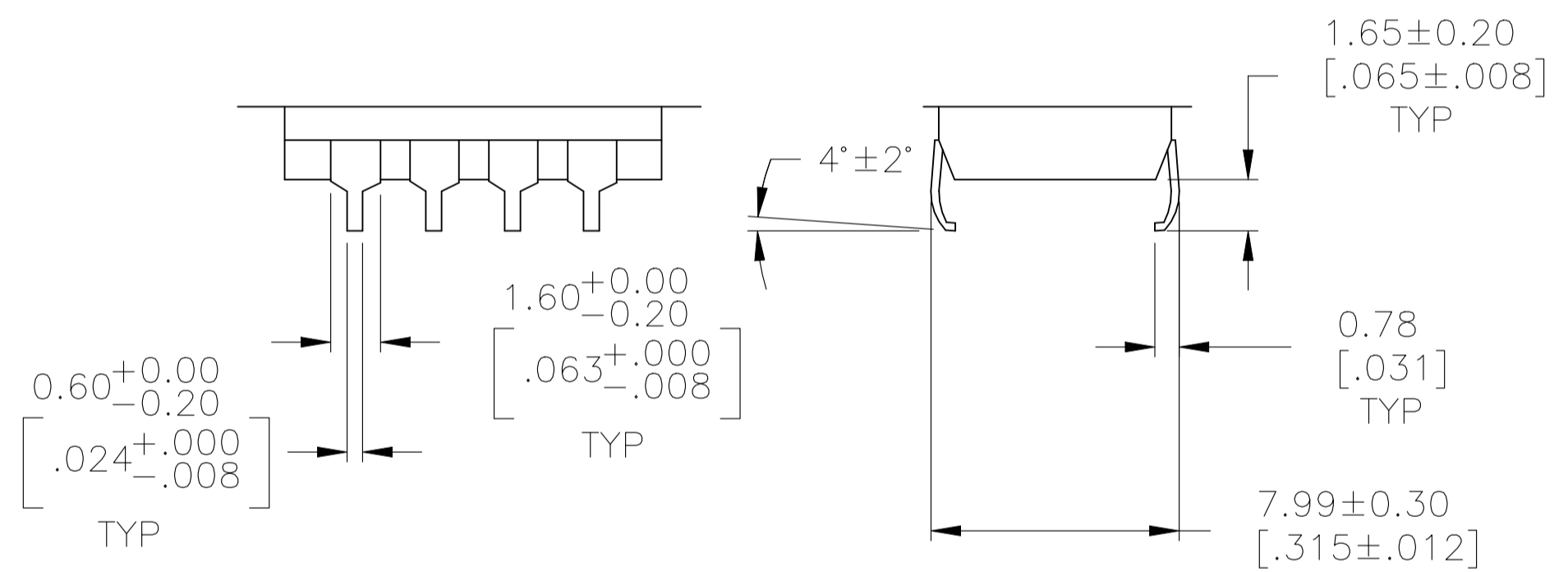
REVISIONS				
REV	DATE	BY	APP'D	DESCRIPTION
-	-	-	-	SEE SHEET 1



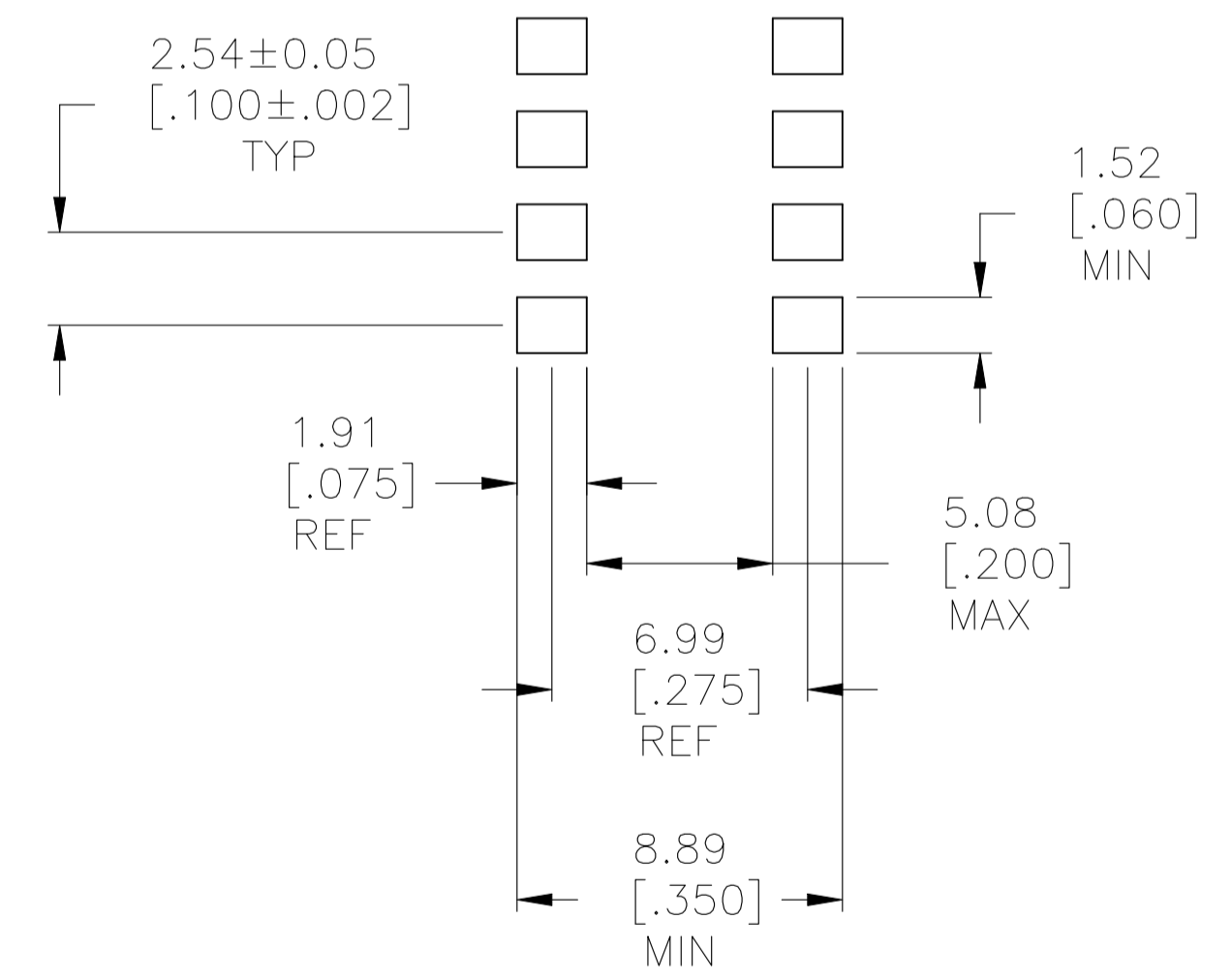
SURFACE MOUNT
"S" TERMINATION



RECOMMENDED PAD LAYOUT
SURFACE MOUNT
"S" TERMINATION



SURFACE MOUNT
"SA" TERMINATION



RECOMMENDED PAD LAYOUT
SURFACE MOUNT
"SA" TERMINATION

THIS DRAWING IS A CONTROLLED DOCUMENT.		DIN M BINNER 14FEB05	TE Connectivity
DIMENSIONS: mm [INCHES]		CHK M SARVER 15FEB05	
TOLERANCES UNLESS OTHERWISE SPECIFIED:		NAME M SARVER 15FEB05	DIP SWITCH ASSEMBLY ADP/PA SERIES
0. PLC ± - 1. PLC ± - 2. PLC ± - 3. PLC ± .012(0.31) 4. PLC ± - ANGLES ± 1°		APPLICATION SPEC	
MATERIAL		SIZE CAGE CODE DRAWING NO	RESTRICTED TO
FINISH		WEIGHT A1 00779 C=1571999	
		CUSTOMER DRAWING	SCALE 1:1 SHEET 2 OF 2 REV E

单击下面可查看定价，库存，交付和生命周期等信息

[>>TE Connectivity\(泰科\)](#)