

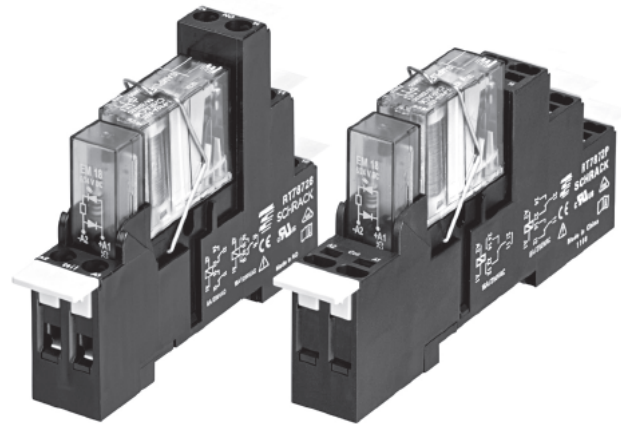
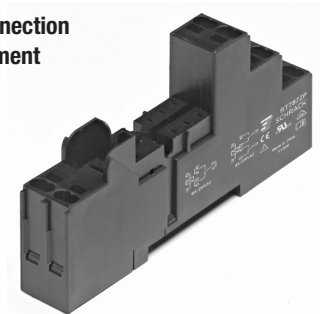
Accessories Force Guided Relay SR2M Plug-in

- For Force Guided Relay SR2M Plug-in, pinning 5 mm
- Simple plug-in indicator- and protection modules
- white snap-on marking tags
- RoHS compliant (Directive 2011/65/EU)

Premium socket with screwless terminals for DIN rail mounting

RT 78 72P Premium socket, logical terminal arrangement

- Screwless Clamps
- Mounting of solid wires without tool
- Double Clamps per terminal
- Jumper links for interconnection
- Logical terminal arrangement

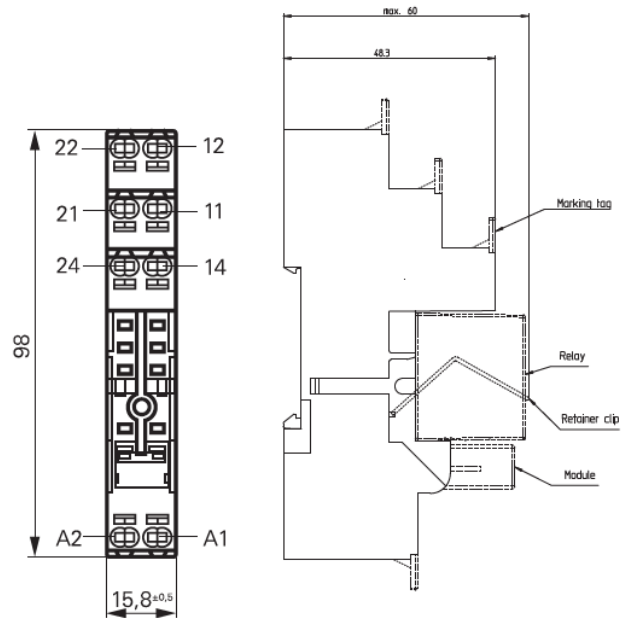


Approvals

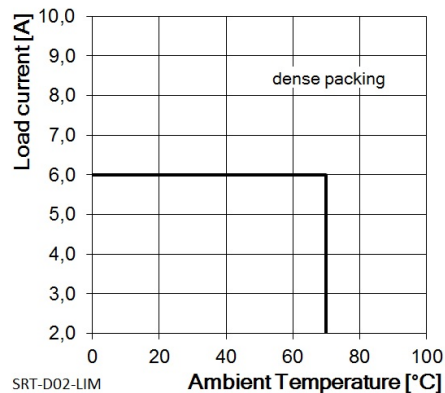
VDE 116064, UL E135149

Technical Data

| | |
|---|-----------------------|
| Rated voltage / Max. switching voltage | 240 / 400 VAC |
| Rated current | 2 x 6A |
| Dielectric strength | |
| coil contact circuit | 4000 V _{rms} |
| open contact circuit | 1000 V _{rms} |
| adjacent contact circuit | 2500 V _{rms} |
| Clearance / creepage coil contact circuit | ≥ 8 / 8mm |
| Material group of insulation parts | IIIa |
| Flammability class UL 94 | V-0 |
| Insulation to IEC 60664-1 | |
| Type of insulation coil-contact circuit | reinforced |
| open contact circuit | functional |
| adjacent contact circuit | functional |
| Rated insulation voltage | 250 V |
| Pollution degree | 2 |
| Rated voltage system | 230 / 400 V |
| Overvoltage category | III |
| RoHS - Directive 2002/95/EC | compliant |
| Ambient temperature range | |
| for mounting/handling | -20...+70°C |
| in operation | -25...+70°C |
| Terminals | screwless |
| Wire strip length | 12 mm |



Derating Curve RT7872P



Accessories Force Guided Relay SR2M Plug-in (Continued)

Wire cross section

| | |
|---|--|
| solid wire | |
| with standard isolation (no oversize isolation) | 1x0.75/1/1.5mm ² 2x0.75/1.5mm ² 2x1.5mm ² |
| stranded wire | |
| without bootlace crimp | 1x0.75/1/1.5mm ² 2x0.75mm ² 2x1.5mm ² |
| without bootlace crimp with standard isolation | 2x1.5mm ² |
| with bootlace crimp | 1x0.75/1.5mm ² 2x0.75mm ² |
| with bootlace crimp without isolation or min 18 mm long | 1x0.75/1.5mm ² |

For stranded wires with braids 0.05 mm or smaller the use of bootlace crimps is recommended. When using stranded wires without bootlaces crimp the clamp must be opened during insertion.

| | |
|----------------------------|--------------------|
| Insertion cycles | A (10) |
| Max. Insertion Force total | 100N |
| Mounting distance | ≥ 0, dense packing |
| Weight | 36 g |
| Packaging unit | 10 pcs |

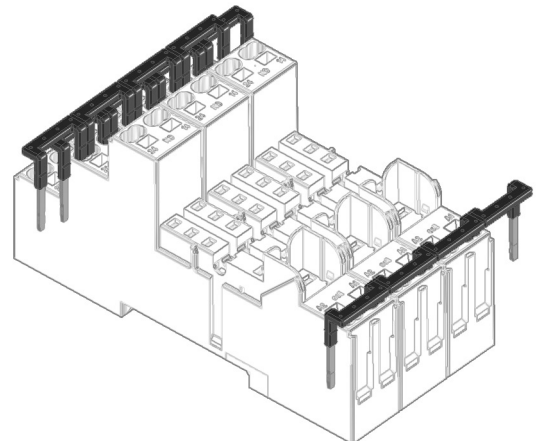
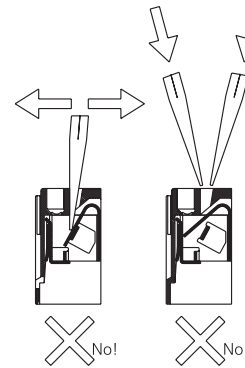
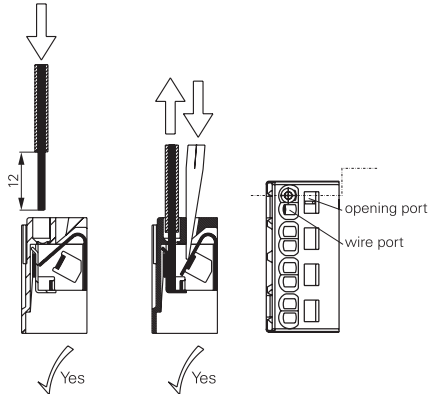
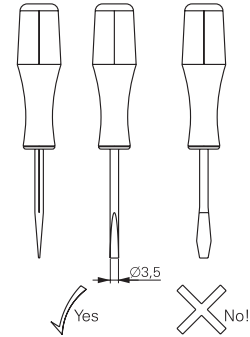
Socket with screwless terminals for DIN rail mounting

| Type | | Part Number |
|-----------|---|-------------|
| RT 78 72P | Premium socket, logical terminals arrangement Socket with screwless terminals, pinning 5 mm for DIN rail mounting | 1860200-1 |

Accessories for RT 78 72P

| Type | | Part Number |
|-----------|---|-------------|
| XT 28816 | Metal retaining clip, relay height 25.5mm | 1887204-1 |
| RT 17 040 | Marking tag | 2-1415038-1 |
| RT 17 0P1 | Jumper link, max load 12A | 1860211-1 |

How to use, Precautions

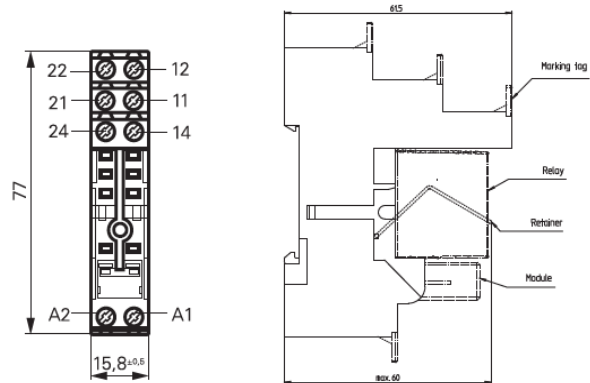
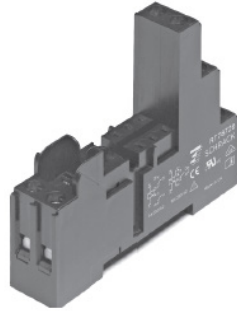


Accessories Force Guided Relay SR2M Plug-in (Continued)

Socket with screw-type terminals for DIN rail mounting

RT 78 726 Socket with screw-type terminals, logical terminal arrangement

- Din-rail socket with logical setup of connectors (input/output)
- High quality rising clamp terminals
- Captive combination terminals screws
- Jumper bars for interconnection

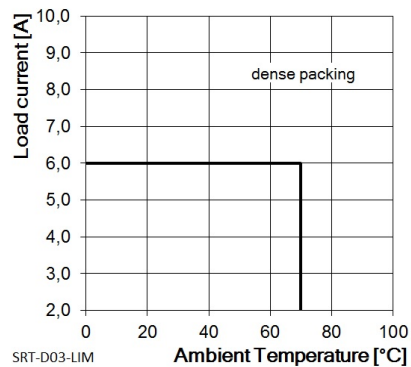


Approvals

VDE 116064, C US UL E135149

| Technical data | | RT 78 726 |
|---|--------------------------|-----------------------|
| Rated voltage / Max. switching voltage | | 240 / 400VAC |
| Rated current | | 2x6A |
| Dielectric strength | coil contact circuit | 4000 V _{rms} |
| | open contact circuit | 1000 V _{rms} |
| | adjacent contact circuit | 2500 V _{rms} |
| Clearance / creepage coil contact circuit | | ≥ 8 / 8mm |
| Material group of insulation parts | | IIIa |
| Flammability class UL 94 | | V-0 |
| Insulation to IEC 60664-1 | | |
| Type of insulation | coil-contact circuit | reinforced |
| | open contact circuit | functional |
| | adjacent contact circuit | functional |
| Rated insulation voltage | | 250V |
| Pollution degree | | 2 |
| Rated voltage system | | 230 / 400V |
| Overvoltage category | | III |
| RoHS - Directive 2002/95/EC | | compliant |
| Ambient temperature range | | |
| | for mounting/handling | -20...+70°C |
| | in operation | -25...+70°C |

Derating Curve RT 78726 (SR2M)



Accessories Force Guided Relay SR2M Plug-in (Continued)

| | |
|---------------------------------------|-------------------------|
| Terminals | screw |
| Terminals screw torque acc. IEC 61984 | 0.5Nm |
| Terminals max. | 0.7Nm |
| Wire cross section | |
| single wire | 2 x 2.5 mm ² |
| fine wire | 2 x 2.5 mm ² |
| with bootlace crimp (DIN 46228/1) | 2 x 1.5 mm ² |
| Insertion cycles | A (10) |
| Max. Insertion Force total | 120 N |
| Mounting distance | ≥ 0, dense packing |
| Weight | 36 g |
| Packaging unit | 10 pcs |

Socket with screw-type terminals for DIN rail mounting

| Type | | Part Number |
|-----------|--|-------------|
| RT 78 726 | Socket with screw-type terminals, pinning 5 mm for DIN rail mounting, logical terminal arrangement | 6-1415035-1 |

Accessories for RT 78 726

| Type | | Part Number |
|-----------|---|-------------|
| XT 28816 | Metal retaining clip, relay height 25.5 mm | 1887204-1 |
| RT 17 040 | Marking tag | 2-1415038-1 |
| RT 17 0R8 | Jumper bar, max load 12A for connection of up to 8 RT Sockets | 1860517-8 |

LED- and Protection Modules for RT7872P, RT78726

Easy insertion of module into the socket

Wiring in parallel to the coil

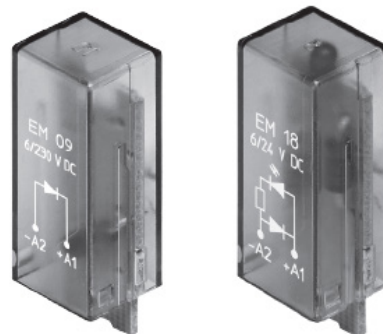
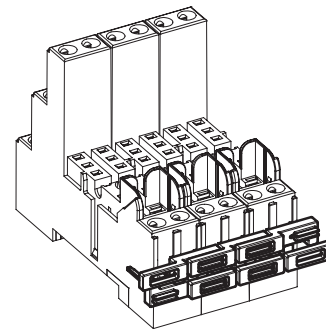
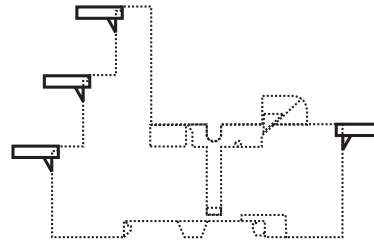
| Type | | | Part Number |
|------------|------|---------------------------------------|-------------|
| PTM T0 0A0 | EM09 | Protection diode (standard, A1+, A2-) | 9-1415036-1 |
| PTM T0 0L0 | EM01 | Protection diode(A1-, A2+) | 1415037-1 |

LED

| | | | |
|------------|------|--|-------------|
| PTM L0 024 | EM18 | red LED 6...24VDC w. prot.diode (std, A1+, A2) | 5-1415036-1 |
| PTM G0 024 | EM12 | green LED 6...24VDC w. prot.diode (std, A1+, A2-) | 2-1415036-1 |
| PTM L1 024 | EM08 | red LED 6...24 VDC w. prot. Diode (A1-, A2+) | 8-1415036-1 |
| PTM L0 060 | EM16 | red LED 24...60VDC w. prot. Diode (std, A1+, A2-) | 5-1415539-3 |
| PTM G0 060 | EM25 | green LED 24...60VDC w. prot.diode (std, A1+, A2-) | 7-1415539-7 |
| PTM L0 110 | EM19 | red LED 60...110VDC w. prot. Diode (A1+, A2-) | 2-1415392-1 |

Marking tags

- White marking area 15.5 x 6mm
- Snaps on socket in up to 4 positions



单击下面可查看定价，库存，交付和生命周期等信息

[>>TE Connectivity\(泰科\)](#)