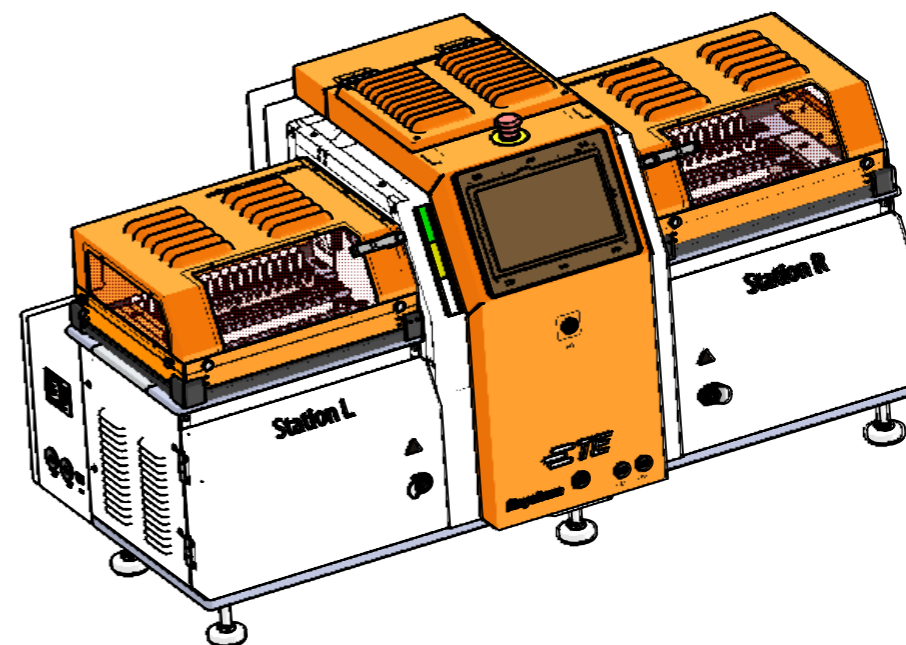
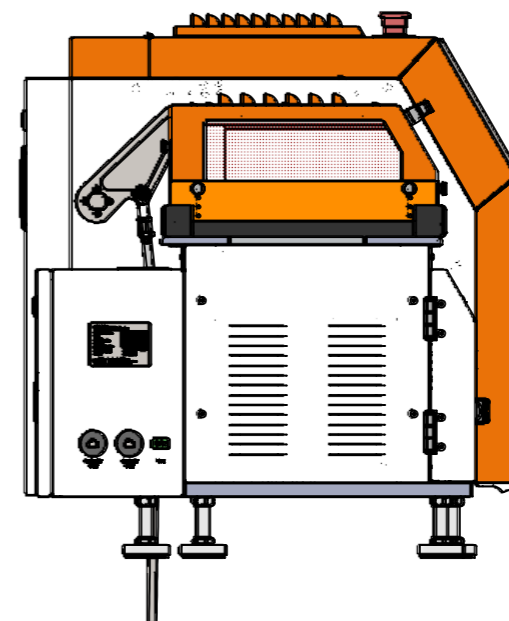
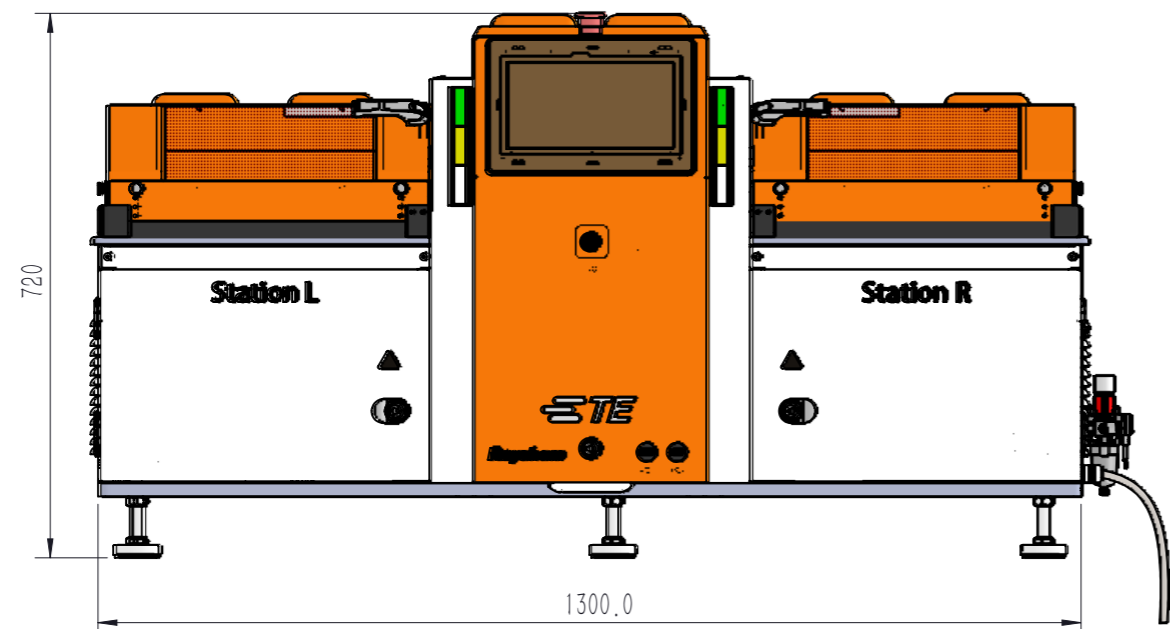

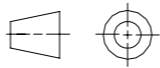


PART NUMBER	REV	FIRST USED	TYPE
2410400-1	A	-	STD
2410400-2	A	-	PLUS

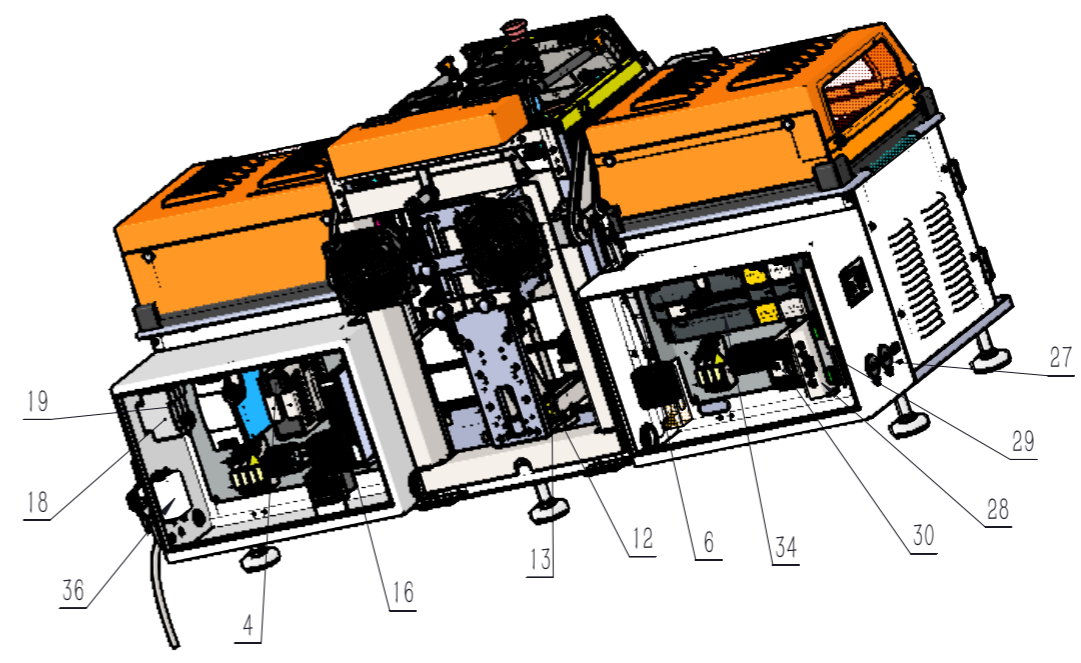
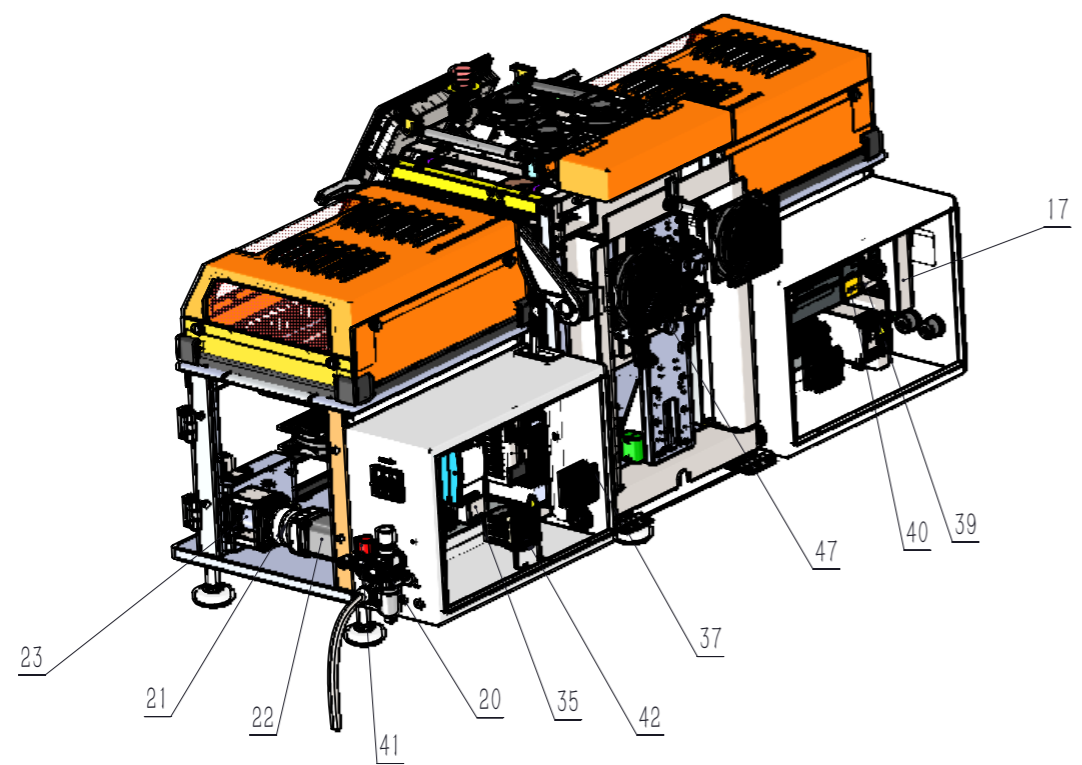
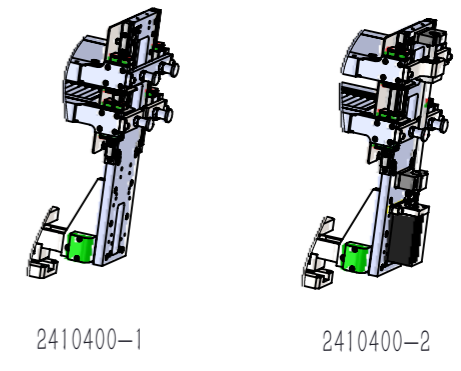
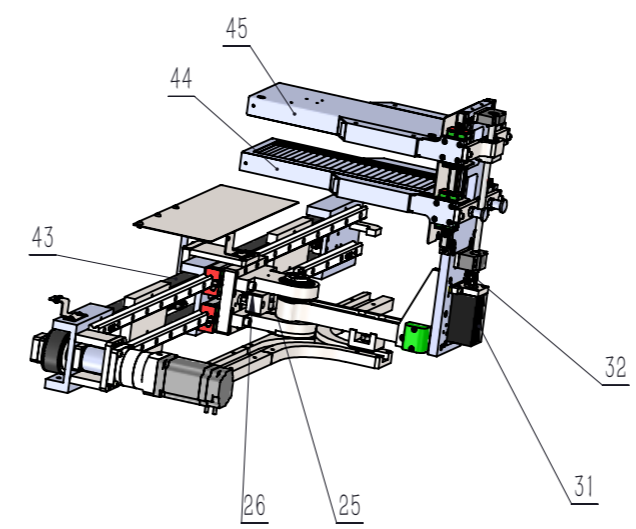
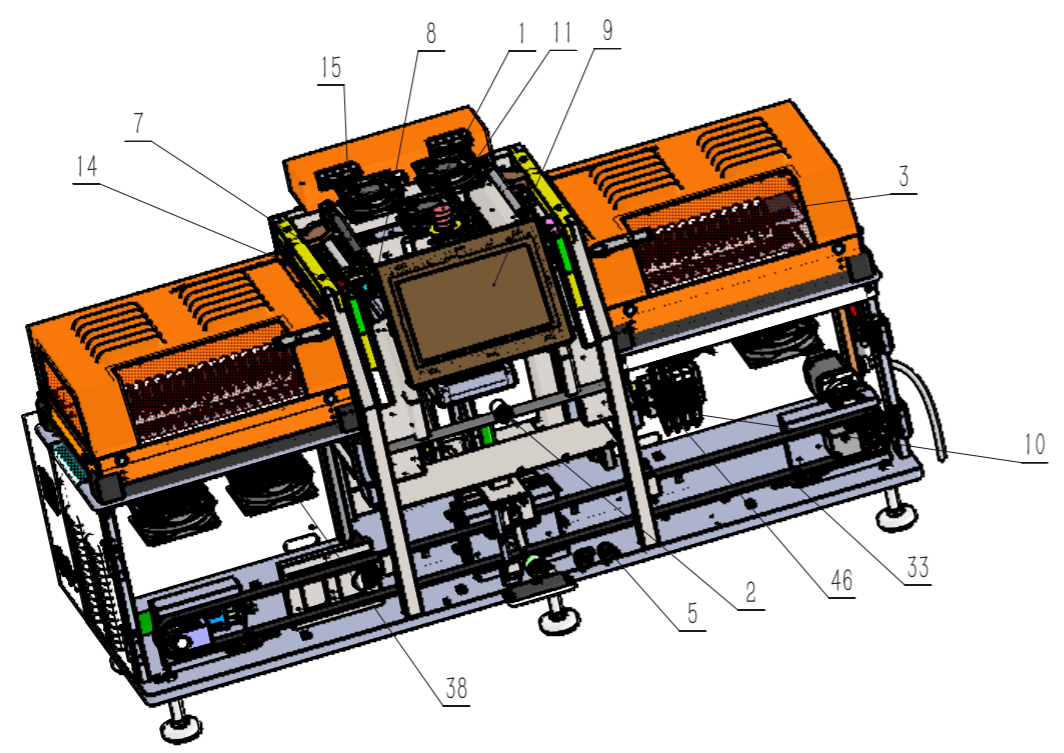
REVISIONS					
P	LTR	DESCRIPTION	DATE	DWN	APVD
	A	INITIAL RELEASE	24FEB23	CZ	
	A1	ECR- 23- 172682	11APR23	RRD	CZ
	A2	ECR- 23- 172681	18APR23	RRD	CZ


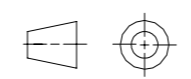


THIS DRAWING IS A CONTROLLED DOCUMENT.		DWN	C.ZHU	24FEB23	 TE Connectivity	
DIMENSIONS: mm		CHK				
		TOLERANCES UNLESS OTHERWISE SPECIFIED:		NAME		
MATERIAL		FINISH		PRODUCT SPEC		XS-D1 , SHUTTLE HEATER
-		-		SEE FIRST USED		
				APPLICATION SPEC		SIZE
				-		A3
				WEIGHT		CAGE CODE
				-		DRAWING NO
				CUSTOMER DRAWING		RESTRICTED TO
				SCALE 1:20		SHEET 1 OF 3
				REV A2		

PART NUMBER	REV	FIRST USED	TYPE
2410400-1	A	-	STD
2410400-2	A	-	PLUS

REVISIONS					
P	LTR	DESCRIPTION	DATE	DWN	APVD
SEE SHEET 1					




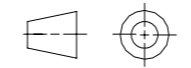
THIS DRAWING IS A CONTROLLED DOCUMENT.		DWN C.ZHU 24FEB23	 TE Connectivity		
DIMENSIONS: mm		CHK			
		APVD	XS-D1 , SHUTTLE HEATER		
TOLERANCES UNLESS OTHERWISE SPECIFIED:		PRODUCT SPEC			
0 PLC ±		SEE FIRST USED	SIZE		
1 PLC ±		APPLICATION SPEC	CAGE CODE		
2 PLC ±		-	DRAWING NO		
3 PLC ±		WEIGHT	RESTRICTED TO		
4 PLC ±		-	A3		
ANGLES ±		CUSTOMER DRAWING	C=2410400		
FINISH -		SCALE 1:20	SHEET 2 OF 3		
MATERIAL -		REV A2			

PART NUMBER	REV	FIRST USED	TYPE
2410400-1	A	-	STD
2410400-2	A	-	PLUS

REVISIONS					
P	LTR	DESCRIPTION	DATE	DWN	APVD
SEE SHEET 1					

SPARE PARTS LIST

ITEM NO	-1	-2	TE/PN	DESCRIPTION	40	1	1	9-2410404-4	PLC COMMUNICATION MODULE
1	3	3	1-2375314-2	FAN TOP	41	1	1	1-2410404-9	PRESSURE RELIEF VALVE
2	1	1	1-2375314-5	METAL BUTTON SWITCH	42	1	1	9-2410404-9	TEMPERATURE CONTROLLER
3	2	2	1-2410402-1	FRONT PC	43	1	1	1-2410404-0	TIMING BELT
4	2	2	2234971-1	STORAGE BATTERY	44	1	1	8-2410402-6	LOWER HEATING MODULE
5	2	2	2-2375314-5	USB PORT	45	1	1	8-2410402-7	UPPER HEATING MODULE
6	2	2	2-2410404-1	CYLINDER-A	46	2	2	6-2410404-0	SOLENOID VALVE D
7	1	1	2-2410404-3	CYLINDER-B	47	2	2	2234963-1	FAN BACK
8	2	2	2-2410404-9	BUFFER-A					
9	1	1	2410404-1	HUMAN MACHINE INTEFACE					
10	2	2	2410404-3	SOLENOID VALVE S					
11	1	1	3-2375314-3	EMERGENCY STOP BUTTON					
12	2	2	3-2375314-7	THERMOCOUPLE SOCKET					
13	2	2	3-2375314-8	THERMOCOUPLE PLUG					
14	2	2	3-2410404-1	SENSOR					
15	1	1	3-2410404-6	GAS SPRING					
16	1	1	4-2375314-1	POWER SUPPLY					
17	1	1	4-2410404-1	CLOSED LOOP STEPPING MOTOR DRIVER					
18	1	1	4-2410404-2	CIRCUIT BREAKER					
19	1	1	4-2410404-3	SHUNT RELEASE					
20	1	1	4-2410404-4	PRESSURE REGULATING VALVE					
21	1	1	5-2410404-6	REDUCER					
22	1	1	5-2410404-7	STEPPER MOTOR-A					
23	1	1	5-2410404-9	COUPLING-A					
24	1	1	6-2410404-1	CAM FOLLOWER-A					
25	2	2	6-2410404-6	CAM FOLLOWER-B					
26	2	2	6-2410404-7	SPRING					
27	2	2	7-2375314-2	RELAY SOCKET					
28	1	1	7-2375314-3	SWITCH					
29	-	1	9-2410404-0	STEP MOTOR DRIVER					
30	1	1	2234967-1	SAFETY RELAY					
31	-	1	7-2410404-2	STEPPING MOTOR-B					
32	-	1	7-2410404-3	COUPLING-B					
33	5	5	7-2410404-8	PHOTOELECTRIC SWITCH					
34	1	1	8-2375314-3	PLC					
35	1	1	8-2375314-4	SOLID STATE RELAY					
36	1	1	8-2375314-5	WAVE FILTER					
37	2	2	8-2375314-7	FAN FOR BOX					
38	2	2	8-2410404-8	FAN HIGH SPEED LOWER					
39	1	1	6-2375314-9	PLC TEMPERATURE CONTROL MODULE					

THIS DRAWING IS A CONTROLLED DOCUMENT.		DWN	C.ZHU	24FEB23	 TE Connectivity	
DIMENSIONS: mm		CHK				
		APVD			NAME	
TOLERANCES UNLESS OTHERWISE SPECIFIED:		PRODUCT SPEC	SEE FIRST USED		XS-D1 , SHUTTLE HEATER	
0 PLC ±		APPLICATION SPEC	-		SIZE	RESTRICTED TO
1 PLC ±				CAGE CODE	DRAWING NO	
2 PLC ±				WEIGHT	A3	C= 2410400
3 PLC ±				CUSTOMER DRAWING		
4 PLC ±				SCALE	1:20	SHEET 3 OF 3
ANGLES ±				REV	A2	
FINISH -						
MATERIAL -						

单击下面可查看定价，库存，交付和生命周期等信息

[>>TE Connectivity\(泰科\)](#)