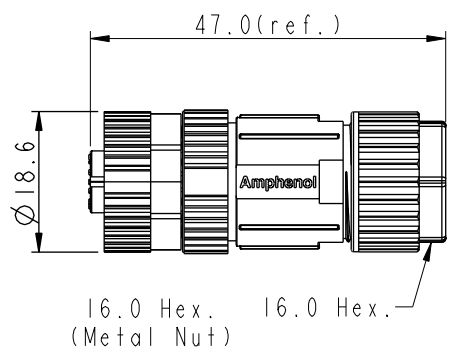
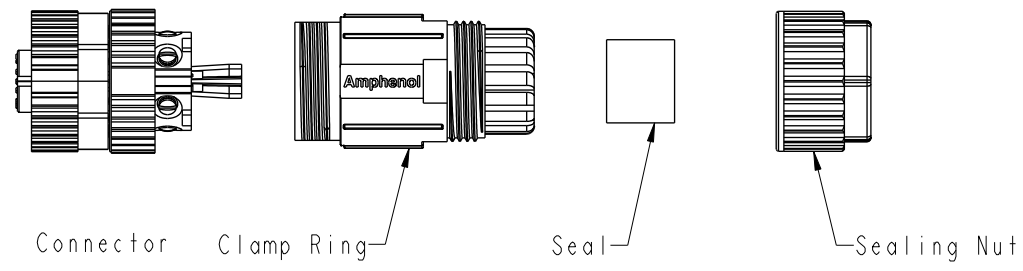


THIS DOCUMENT IS SUBJECT TO CHANGE WITHOUT NOTICE. IT IS CONFIDENTIAL AND A PROPERTY OF AMPHENOL LTW. DISCLOSURE TO THIRD PARTY HAS TO BE AUTHORIZED BY AMPHENOL LTW.

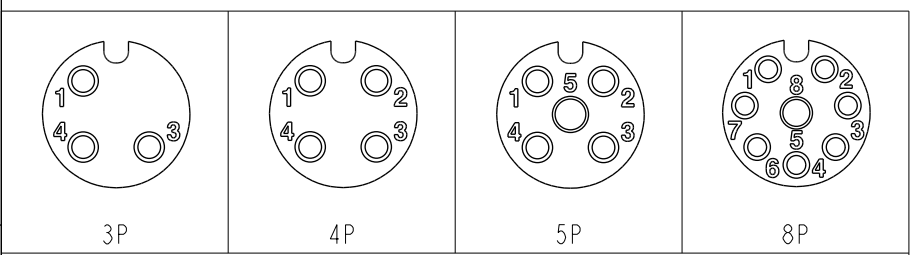
REV.	ECN NO.	DATE	SIGN	DESCRIPTION
B	LEN1790108-11	2017/08/31	Frank Deng	Update Note
C	C210561	2021/04/09	Vicky	$\triangle C$ X4
D	C221877	2022/12/09	Ruru	$\triangle D$ X1

$\triangle C$
M12A-XXBFFB-SL7001

XX: No. Of Pin



- $\triangle B$ $\triangle C$
Note:
- * RoHS Compliant
 - * \odot Important Dimension
 - $\triangle A$ * Waterproof rate: IP67, mated
 - * Connector
 - Housing: Thermoplastic, Black
 - Pin: Copper alloy, Gold plated
 - Extension Nut: Thermoplastic, Black
 - Nut: Metal
 - O-Ring: Rubber, Gray
 - * Clamp Ring: Thermoplastic, Black
 - * Sealing Nut: Thermoplastic, Black
 - * Seal: Rubber, Gray, OD: $\phi 4.0\text{mm} \sim \phi 8.0\text{mm}$
 - * One set unassembled in one pe bag



Pin Assignments Front View

UNIT: mm	\odot $\triangle C$	TITLE N SEN, M12 A, SCREW CABLE W/O SR, F, F, FI SCREW IN
TOLERANCE .X ± 0.25 .XX ± 0.1 .XXX ± 0.05 ANGLES $\pm 1^\circ$	SCALE 1:1	SIZE A4
	REV. D	SHEET 1 OF 1
	WC-REV. A.4	\odot Inspection item

Amphenol LTW 安費諾亮泰企業股份有限公司		ITEM NO.	DRAWN BY	DATE
		DWG NO. M12A-XXBFFB-SL7001	Frank Deng	2017-08-31
		CUSTOMER ALTW	CHECKED BY Fisher Wang	DATE 2017-08-31
			APPROVED BY Kevin Hu	DATE 2017-08-31

单击下面可查看定价，库存，交付和生命周期等信息

[>>Amphenol\(安费诺\)](#)