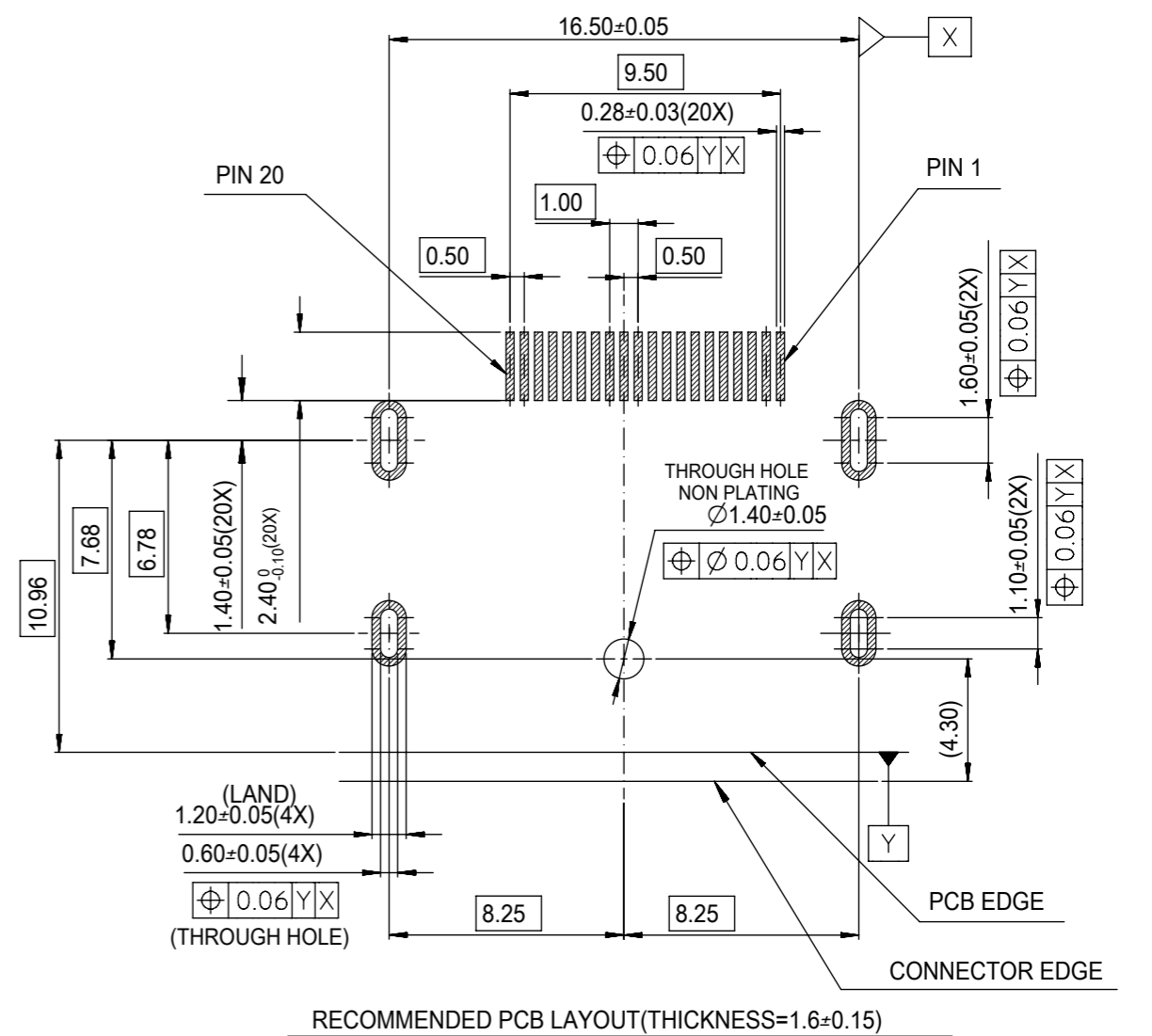
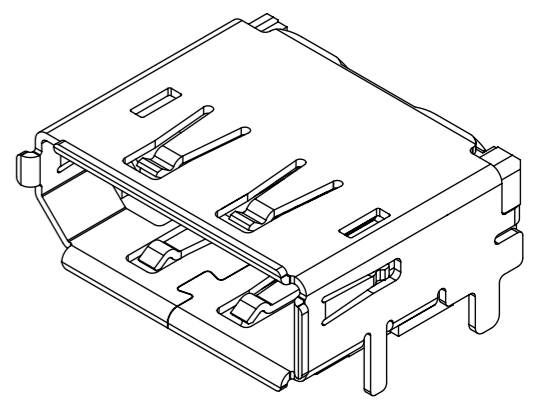


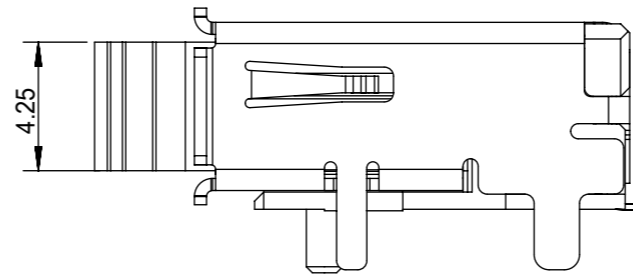
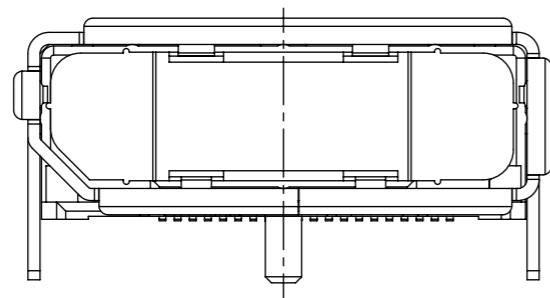
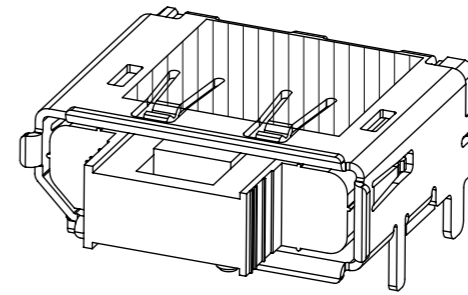
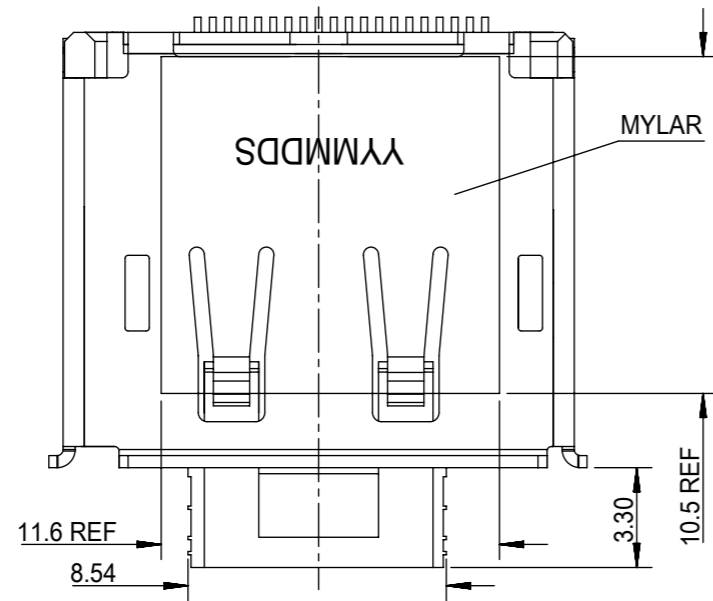
- NOTES:
- MATERIAL:  
HOUSING: LIQUID CRYSTAL POLYMER, BLACK, 30% GLASS FILLED, UL94V-0.  
TERMINAL: BRASS.  
SHELL: STAINLESS STEEL
  - PLATING:  
TERMINAL:  
CONTACT AREA: 0.76 MICROMETER (30 μ") GOLD PLATING  
AND SOLDER TAIL: 1~3 MICROMETER(39~118μ") MATT TIN UNDER PLATE  
UNDER PLATE: 2~4 MICROMETER(79~158μ") NICKEL PLATING OVERALL.  
SHELL: 1.27~2.54 MICROETER(50~100μ") SOLDERABLE NICKEL PLATING OVERALL.
  - SOLDERTAIL COPLANARITY 0.10 MAX.
  - PRODUCT SPEC REFER TO PS-47272-001
  - PACKAGE REFER TO PK-47272-001



PART NO.	COVER	MYLAR	REMARK
472720001	WITHOUT	WITHOUT	SHEET 1
472720024	WITH	WITH	SHEET 2
472720029	WITHOUT	WITH	SHEET 3

SYMBOLS				THIS DRAWING CONTAINS INFORMATION THAT IS PROPRIETARY TO MOLEX ELECTRONIC TECHNOLOGIES, LLC AND SHOULD NOT BE USED WITHOUT WRITTEN PERMISSION			
▽ = 0	mm	SCALE	0.9:1	CURRENT REV DESC:			
▽ = 0	GENERAL TOLERANCES (UNLESS SPECIFIED)			EC NO:	618483		
▽ = 0	ANGULAR TOL ± 3.0°			DRWN:	RZHANG	2019/09/23	
▽ = 0	4 PLACES ±			CHK'D:	AYIN	2019/10/11	
▽ = 0	3 PLACES ±			APPR:	AYIN	2019/10/11	
▽ = 0	2 PLACES ± 0.25			INITIAL REVISION:			
▽ = 0	1 PLACE ± 0.25			DRWN:	RZHANG	2006/04/06	
▽ = 0	0 PLACES ±			APPR:	JNCHEN	2007/03/23	
▽ = 0	DRAFT WHERE APPLICABLE MUST REMAIN WITHIN DIMENSIONS			THIRD ANGLE PROJECTION	DRAWING	SERIES	MATERIAL NUMBER
					A3-SIZE	47272	
				CUSTOMER			
				GENERAL MARKET			
				SHEET NUMBER			
				1 OF 3			

# WITH COVER AND MYLAR

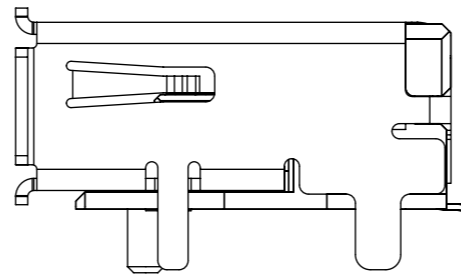
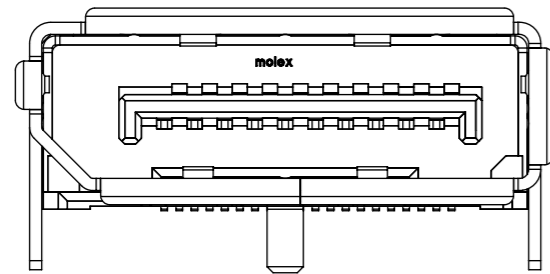
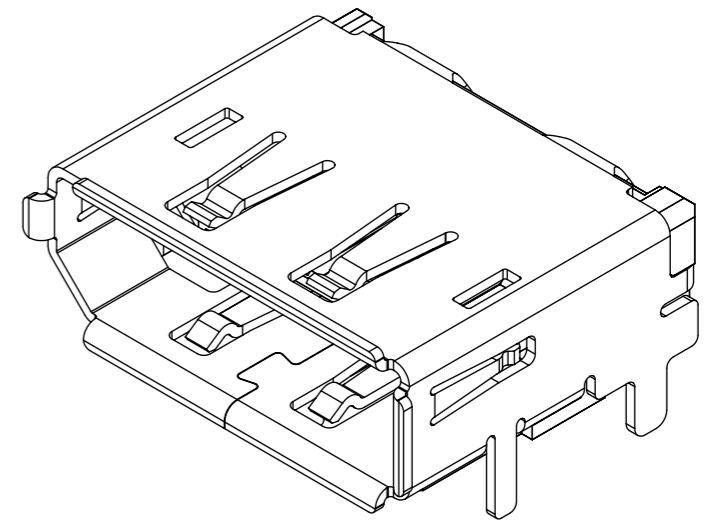
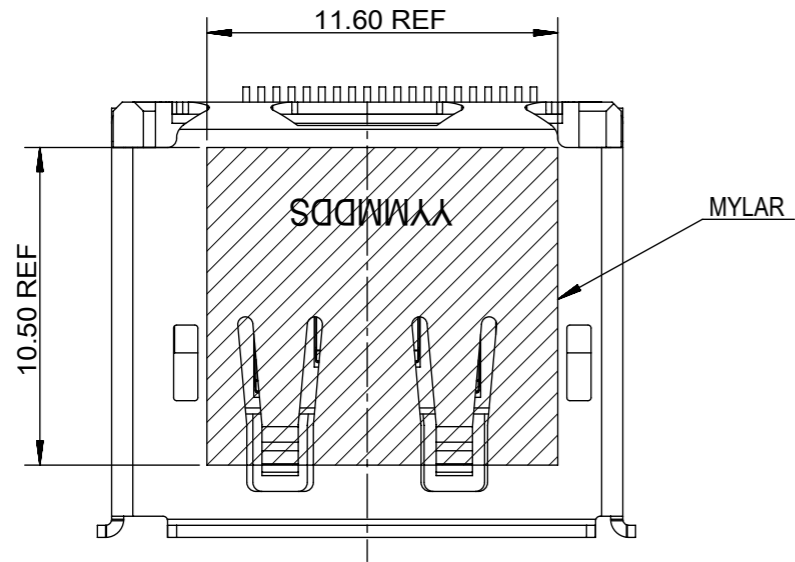


**NOTES:**

1. UNSPECIFIED DIMENSION ARE SAME AS SHEET 1
2. CONNECTOR WITH COVER IS USED FOR WARE SOLDERING PEG

<p><b>SYMBOLS</b></p> <table style="font-size: 8px;"> <tr><td>▽ = 0</td><td>mm</td><td>SCALE 1:1</td></tr> <tr><td>▽ = 0</td><td colspan="2">GENERAL TOLERANCES (UNLESS SPECIFIED)</td></tr> <tr><td>▽ = 0</td><td colspan="2">ANGULAR TOL ± 3.0°</td></tr> <tr><td>▽ = 0</td><td>4 PLACES</td><td>±</td></tr> <tr><td>▽ = 0</td><td>3 PLACES</td><td>±</td></tr> <tr><td>▽ = 0</td><td>2 PLACES</td><td>± 0.25</td></tr> <tr><td>▽ = 0</td><td>1 PLACE</td><td>± 0.25</td></tr> <tr><td>▽ = 0</td><td>0 PLACES</td><td>±</td></tr> <tr><td>■ = 0</td><td colspan="2">DRAFT WHERE APPLICABLE MUST REMAIN WITHIN DIMENSIONS</td></tr> <tr><td>▽ = 0</td><td>THIRD ANGLE PROJECTION</td><td>DRAWING SERIES</td></tr> </table>	▽ = 0	mm	SCALE 1:1	▽ = 0	GENERAL TOLERANCES (UNLESS SPECIFIED)		▽ = 0	ANGULAR TOL ± 3.0°		▽ = 0	4 PLACES	±	▽ = 0	3 PLACES	±	▽ = 0	2 PLACES	± 0.25	▽ = 0	1 PLACE	± 0.25	▽ = 0	0 PLACES	±	■ = 0	DRAFT WHERE APPLICABLE MUST REMAIN WITHIN DIMENSIONS		▽ = 0	THIRD ANGLE PROJECTION	DRAWING SERIES	<p>THIS DRAWING CONTAINS INFORMATION THAT IS PROPRIETARY TO MOLEX ELECTRONIC TECHNOLOGIES, LLC AND SHOULD NOT BE USED WITHOUT WRITTEN PERMISSION</p> <p>CURRENT REV DESC:</p> <table style="font-size: 8px;"> <tr><td>EC NO: 618483</td><td>2019/09/23</td></tr> <tr><td>DRWN: RZHANG</td><td>2019/10/11</td></tr> <tr><td>CHK'D: AYIN</td><td>2019/10/11</td></tr> <tr><td>APPR: AYIN</td><td>2019/10/11</td></tr> </table> <p>INITIAL REVISION:</p> <table style="font-size: 8px;"> <tr><td>DRWN: RZHANG</td><td>2006/04/06</td></tr> <tr><td>APPR: JNCHEN</td><td>2007/03/23</td></tr> </table>	EC NO: 618483	2019/09/23	DRWN: RZHANG	2019/10/11	CHK'D: AYIN	2019/10/11	APPR: AYIN	2019/10/11	DRWN: RZHANG	2006/04/06	APPR: JNCHEN	2007/03/23	<p style="font-size: 24px; font-weight: bold;">molex</p> <p>1.0MM PITCH DISPLAY PORT RECEPTACLE ASSEMBLY</p> <p>PRODUCT CUSTOMER DRAWING</p> <table style="font-size: 8px; width: 100%;"> <tr><td>DOCUMENT NUMBER</td><td>DOC TYPE</td><td>DOC PART</td><td>REVISION</td></tr> <tr><td style="font-size: 16px;">SD-47272-001</td><td>PSD</td><td>001</td><td>D</td></tr> </table> <table style="font-size: 8px; width: 100%;"> <tr><td>MATERIAL NUMBER</td><td>CUSTOMER</td><td>SHEET NUMBER</td></tr> <tr><td></td><td>GENERAL MARKET</td><td>2 OF 3</td></tr> </table>	DOCUMENT NUMBER	DOC TYPE	DOC PART	REVISION	SD-47272-001	PSD	001	D	MATERIAL NUMBER	CUSTOMER	SHEET NUMBER		GENERAL MARKET	2 OF 3
▽ = 0	mm	SCALE 1:1																																																								
▽ = 0	GENERAL TOLERANCES (UNLESS SPECIFIED)																																																									
▽ = 0	ANGULAR TOL ± 3.0°																																																									
▽ = 0	4 PLACES	±																																																								
▽ = 0	3 PLACES	±																																																								
▽ = 0	2 PLACES	± 0.25																																																								
▽ = 0	1 PLACE	± 0.25																																																								
▽ = 0	0 PLACES	±																																																								
■ = 0	DRAFT WHERE APPLICABLE MUST REMAIN WITHIN DIMENSIONS																																																									
▽ = 0	THIRD ANGLE PROJECTION	DRAWING SERIES																																																								
EC NO: 618483	2019/09/23																																																									
DRWN: RZHANG	2019/10/11																																																									
CHK'D: AYIN	2019/10/11																																																									
APPR: AYIN	2019/10/11																																																									
DRWN: RZHANG	2006/04/06																																																									
APPR: JNCHEN	2007/03/23																																																									
DOCUMENT NUMBER	DOC TYPE	DOC PART	REVISION																																																							
SD-47272-001	PSD	001	D																																																							
MATERIAL NUMBER	CUSTOMER	SHEET NUMBER																																																								
	GENERAL MARKET	2 OF 3																																																								

# STANDARD TYPE WITH MYLAR



### NOTES:

1. UNSPECIFIC DIMENSION ARE SAME AS SHEET1
2. THE RECOMMENDER PCB ARE SAME AS SHEET1

SYMBOLS	THIS DRAWING CONTAINS INFORMATION THAT IS PROPRIETARY TO MOLEX ELECTRONIC TECHNOLOGIES, LLC AND SHOULD NOT BE USED WITHOUT WRITTEN PERMISSION		CURRENT REV DESC:			<b>molex</b>		
	DIMENSION UNITS	SCALE						
▽ = 0	mm	1:1	DRWN: RZHANG	2019/10/11	PRODUCT CUSTOMER DRAWING			
▽ = 0	GENERAL TOLERANCES (UNLESS SPECIFIED)		CHK'D: AYIN	2019/10/11				
▽ = 0	ANGULAR TOL ± 3.0°		APPR: AYIN	2019/10/11	DOCUMENT NUMBER	DOC TYPE	DOC PART	REVISION
▽ = 0	4 PLACES	±	INITIAL REVISION:		SD-47272-001	PSD	001	D
▽ = 0	3 PLACES	±	DRWN: RZHANG	2006/04/06	MATERIAL NUMBER	CUSTOMER	SHEET NUMBER	
▽ = 0	2 PLACES	± 0.25	APPR: JNCHEN	2007/03/23	47272	GENERAL MARKET	3 OF 3	
▽ = 0	1 PLACE	± 0.25	THIRD ANGLE PROJECTION		A3-SIZE			
▽ = 0	0 PLACES	±	DRAWING		SERIES			
▽ = 0	DRAFT WHERE APPLICABLE MUST REMAIN WITHIN DIMENSIONS		THIRD ANGLE PROJECTION					

单击下面可查看定价，库存，交付和生命周期等信息

[>>MOLEX](#)