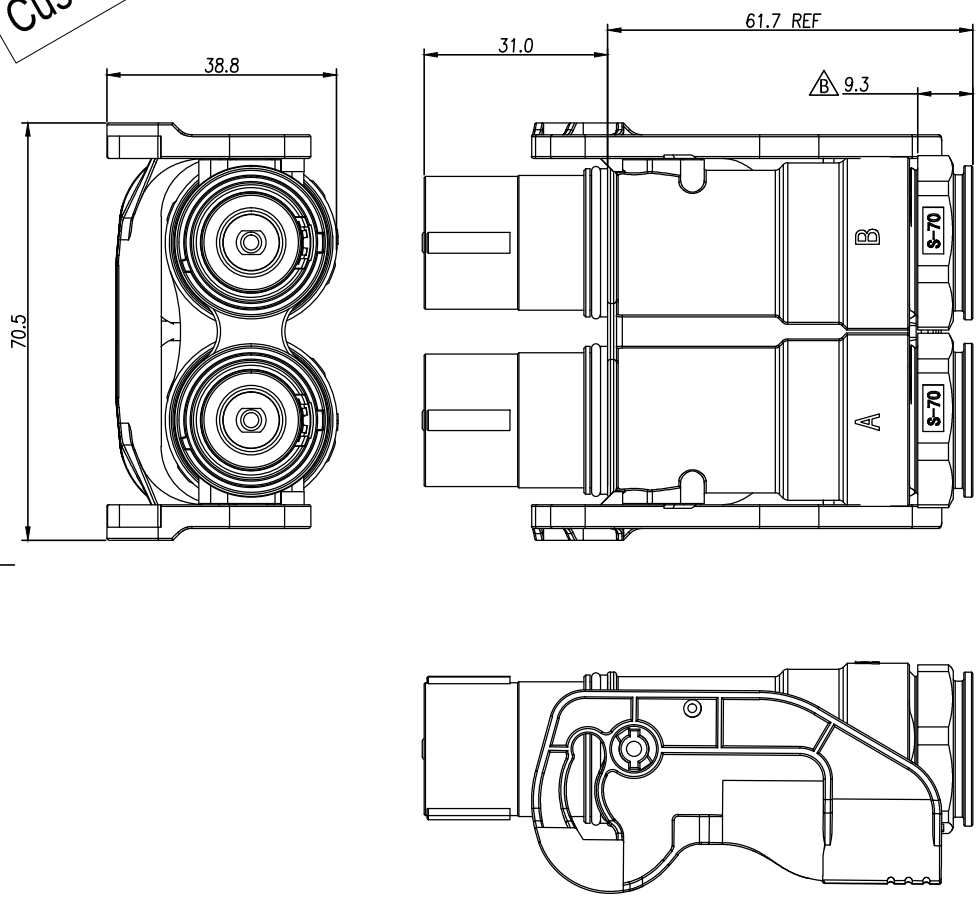


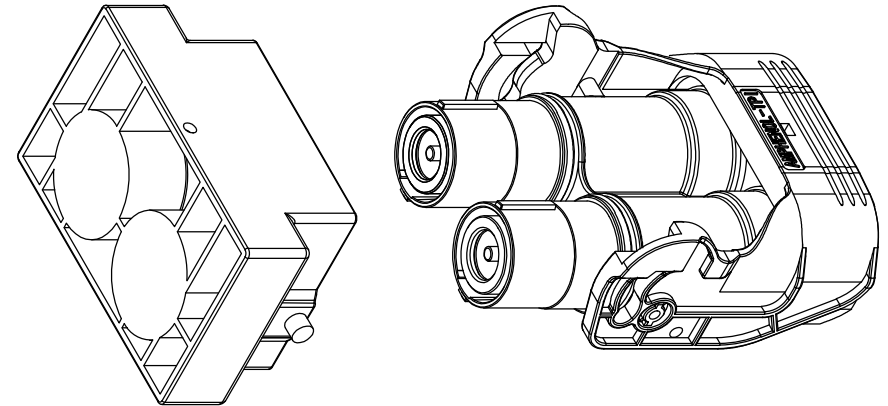
THIS DRAWING IS SUPPLIED FOR INFORMATION ONLY. DESIGN FEATURES, SPECIFICATIONS AND PERFORMANCE DATA SHOWN HEREON ARE THE PROPERTY OF THE AMPHENOL CORPORATION. NO RIGHTS OF REPRODUCTION ARE IMPLIED. ALL DIMENSIONS ARE SUBJECT TO NORMAL MANUFACTURING VARIATIONS.

Customer Drawing

A
B
C
D
E
F



REVISIONS						
REV	ZONE	ECO	DESCRIPTION	DATE	BY	APPR
A	--	--	INITIAL RELEASE	05/06/16	KC	GX
B	--	--	更改尾盖	10/19/16	SW	RW



Standard Part List (With HVIL)

Model NO.	overall-diameter nominal (mm)	Dia Primary Insulation (mm)
PL182X-301-35-5	12.7±0.3	11.5±0.3
PL182Y-301-35-5	12.7±0.3	11.5±0.3
PL182X-301-50-5	14.9±0.3	13.6±0.3
PL182Y-301-50-5	14.9±0.3	13.6±0.3
PL182X-301-70-5	17.0±0.3	15.5±0.3
PL182Y-301-70-5	17.0±0.3	15.5±0.3

Standard Part List (Without HVIL)

Model NO.	overall-diameter nominal (mm)	Dia Primary Insulation (mm)
PL182X-300-35-5	12.7±0.3	11.5±0.3
PL182Y-300-35-5	12.7±0.3	11.5±0.3
PL182X-300-50-5	14.9±0.3	13.6±0.3
PL182Y-300-50-5	14.9±0.3	13.6±0.3
PL182X-300-70-5	17.0±0.3	15.5±0.3
PL182Y-300-70-5	17.0±0.3	15.5±0.3

订购信息 Ordering Information

规格参数 (Spec.):

- 工作温度 Operating temperature: -40° C~+125° C.
- 额定电流 Current rating (Connector Only): 300 A.
- 额定电压 Operating voltage: 1000 VDC.
- 耐电压 Dielectric withstanding voltage: 5000 VDC.
- 防护等级 Protection class: IP67 & IP2X.
- 电磁屏蔽 Shielding.
- 机械寿命 Mating cycle: 500 Min.
- 带自动二次锁扣 Automatic secondary lock.
- 带高压互锁 Electrical interlock (HVIL).
- 对配插座见图纸 Mating receptacle see drawing: PL082-300.

PL18 2 X - 30 1 - 70 - 5

键位及颜色 Key "X" Key "Y" Key	高压互锁 HVIL 0, 不带互锁 No HVIL 1, 带互锁 With HVIL	线缆大小 Cable Size "70"=70mm ² "50"=50mm ² "35"=35mm ²
---------------------------------	--	---

	Amphenol Technical Products International GZ					PART NAME: PwrLok 10mm 2POS Plug Conn	
	第三角投影 THIRD ANGLE PROJECTION	页面 SHEET	幅面 SIZE	版次 REV.	比例 SCALE	DWG NO: PL182-300-5	
签名 SIGNATURE	日期 DATE	UNLESS OTHERWISE SPECIFIED			CUST PART #:		
制图 DRAWN	SW	10/19/16	1) All dimensions are in metric (mm). 2) Tolerances are as follows: 0 PL DEC ±1.00 1 PL DEC ±0.50 2 PL DEC ±0.20			N/A	
审核 CHECKED			Angles ±1°			CUST REV.	
批准 APPROVAL						-	

1 2 4 5 6 7 8

单击下面可查看定价，库存，交付和生命周期等信息

[>>Amphenol\(安费诺\)](#)