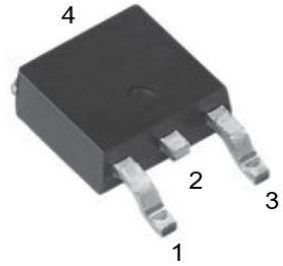


S-LMBR20L40DD2

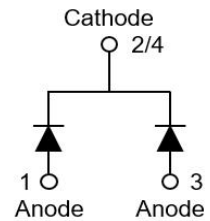
Schottky Rectifier

1. FEATURES

- We declare that the material of product compliance with RoHS requirements and Halogen Free.
- Plastic package has Underwriters Laboratory Flammability Classification 94 V-0
- For use in low voltage high frequency inverters, free wheeling, and polarity protection applications
- Guardring for over voltage protection
- High temperature soldering guaranteed: 260°C/10 seconds at terminals
- Low power loss, high efficiency
- Low Forward Voltage



DPAK (TO-252)



2. DEVICE MARKING AND ORDERING INFORMATION

Device	Marking	Shipping
S-LMBR20L40DD2	LMBR20L40D	2500pcs/Tape&Reel

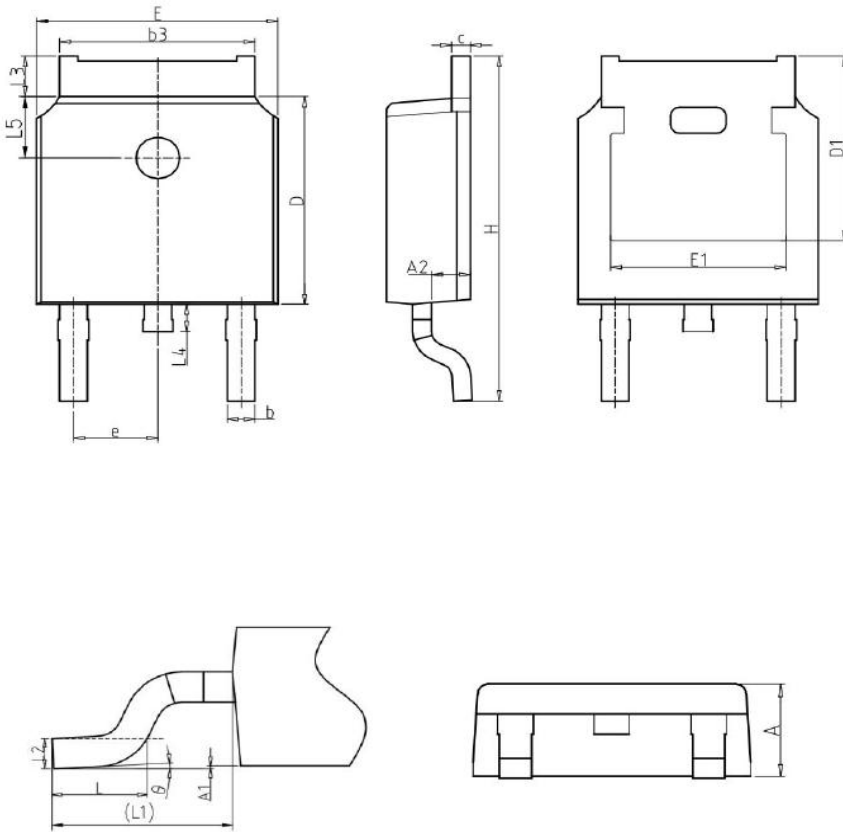
3. MAXIMUM RATINGS (Tc=25°C, per diode)

Parameter	Symbol	Limits	Units
Maximum Repetitive Peak Reverse Voltage	VRRM	40	V
Maximum RMS voltage	VRMS	28	V
Maximum DC blocking voltage	VR	40	V
Average Forward Current (Tc=115°C, Duty Cycle=0.5)	IF(AV)	Per device: 20 Per diode: 10	A
Peak Forward Surge Current 10ms Single Half Sine Wave Superimposed On Rated Load	IFSM	100	A
Operation Junction Temperature Range	TJ	-55 ~ +150	°C
Storage Temperature Range	TSTG	-55 ~ +150	°C
Thermal Resistance, Junction-to-Case (per diode)	RθJC	6	°C/W
Thermal Resistance, Junction-to-Case (per device)	RθJC	3.2	°C/W
Thermal Resistance, Junction-to-Ambient	RθJA	80	°C/W

4. ELECTRICAL CHARACTERISTICS (per diode)

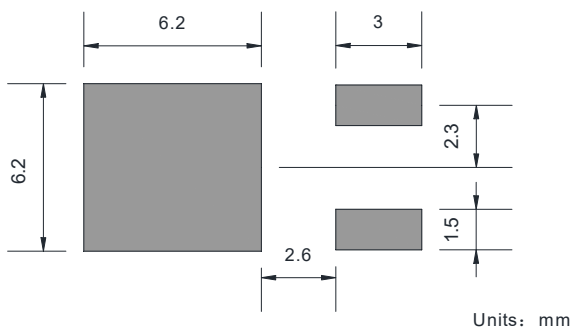
Characteristic	Symbol	Conditions	Min	Typ	Max	Unit
Forward Voltage	VF	IF=10A, Tj=25°C			0.58	V
Reverse Leakage Current	IR	VR=40V, Tj=25°C			360	uA

5.OUTLINE AND DIMENSIONS



DPAK/TO-252			
DIM	MIN	NOR	MAX
A	2.20	2.30	2.40
A1	0.00	-	0.20
A2	0.97	1.07	1.17
b	0.68	0.78	0.90
b3	5.20	5.33	5.50
c	0.43	0.53	0.63
D	5.98	6.10	6.22
D1	5.30 REF		
E	6.40	6.60	6.80
E1	4.63	-	-
e	2.286BSC		
H	9.40	10.10	10.50
L	1.38	1.50	1.75
L1	2.90REF		
L2	0.51BSC		
L3	0.88	-	1.28
L4	-	-	1.00
L5	1.65	1.80	1.95
θ	0°	-	8°
Dimensions are in mm			

6.SOLDERING FOOTPRINT



DISCLAIMER

- Curve guarantee in the specification. The curve of test items with electric parameter is used as quality guarantee. The curve of test items without electric parameter is used as reference only.
- Before you use our Products for new Project, you are requested to carefully read this document and fully understand its contents. LRC shall not be in any way responsible or liable for failure, malfunction or accident arising from the use of any LRC's Products against warning, caution or note contained in this document.
- All information contained in this document is current as of the issuing date and subject to change without any prior notice. Before purchasing or using LRC's Products, please confirm the latest information with a LRC sales representative.
- First edition: The information contained in this document is provided on an "as is" basis and LRC does not warrant that all information contained in this document is accurate and/or error-free. LRC shall not be in any way responsible or liable for any damages, expenses or losses incurred by you or third parties resulting from inaccuracy or errors of or concerning such information.

单击下面可查看定价，库存，交付和生命周期等信息

[>>LRC\(乐山无线电\)](#)