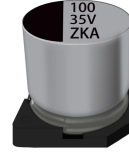


VZ2 Series 片式铝电解电容器低阻抗品

Aluminum Electrolytic Capacitor of V-chip Type



- 适用于回流焊
- 性能稳定、可靠性高
- Reflow soldering is available
- High stability and reliability
- 适用于高密度表面组装
- 低阻抗品
- Available for high density surface mounting
- Lower Impedance
- 寿命: +105°C, 2000 小时。
- Lifetime: +105°C, 2000 Hrs.



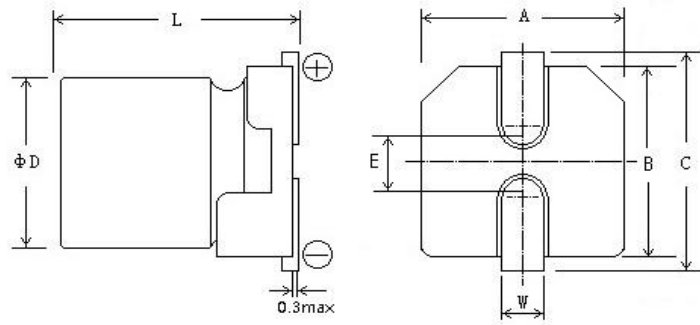
主要技术性能 Specifications

使用温度范围 Operating Temperature Range	-55~+105°C									
额定电压范围 Rated Voltage Range	6.3~100V DC									
标称电容量允许偏差 Capacitance Tolerance	±20% (120Hz, 20°C)									
漏电流(20°C) Leakage Current	I ≤ 0.01CV (μA) 或 3 μA 取较大者, (2 分钟) I ≤ 0.01CV (μA) or 3 μA Whichever is greater (after 2 minutes)									
I=Leakage Current(μA), C=Capacitance(μF), V=Rated DC Working Voltage(V)										
损耗角正切值 Dissipation Factor (120Hz 20°C)	WV	6.3	10	16	25	35	50	63	80	100
	tg δ	0.22	0.19	0.16	0.14	0.12	0.10	0.08	0.08	0.08
	0.02 is added to every 1000μF increase over 1000μF									
温度特性 (120Hz) Temperature Characteristics Impedance Ratio (120Hz)	WV	6.3	10	16	25	35	50	63	80	100
	Z _{-25°C} / Z _{+20°C}	2	2	2	2	2	2	2	2	2
	Z _{-40°C} / Z _{+20°C}	3	3	3	3	3	3	3	3	3
	Z _{-55°C} / Z _{+20°C}	4	4	4	3	3	3	3	3	3
耐久性 Load Life	+105°C施加额定电压 2000 小时, 恢复 16 小时后, 电容器应满足要求 After applying rated voltage for 2000 hours at +105°C and then resumed 16 hours. The capacitor shall meet the following limits.									
	电容量变化率 Capacitance Change	≤ ±20% 初始测量值 (≤16V: ±25% 初始测量值) ≤ ±20% of Initial measured value (≤16V: ±25% of the initial value)								
	漏电流值 Leakage	≤ 规定值 ≤ The specified value								
	损耗角正切值 Dissipation Factor	≤ 2 倍规定值 ≤ 200% of the specified value								
高温贮存 Shelf Life (105°C)	试验时间: 1000 小时, 其他项目与耐久性相同。电压应用处理: 根据 JIS C5101-4 4.1 Test time : 1000hours ; other items are same as the endurance. Voltage application treatment : According to JIS C5101-4 4.1									
额定纹波电流频率系数 Coefficient of Frequency for Rated Ripple Current	Frequency Capacitor	120Hz	1KHz	10KHz	100KHz					
	6.3~100V	0.50	0.75	1.00	1.00					

外形图 Outline Drawing

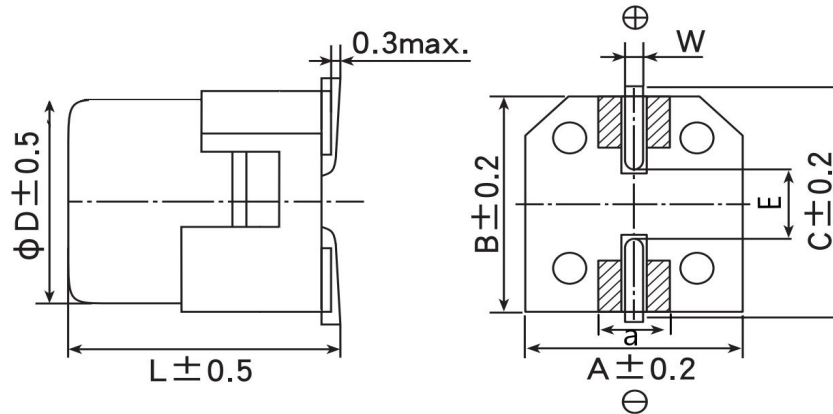
单位 Unit : mm

普通座板:



Size	4×5.4	5×5.4	6.3×5.4	6.3×7.7	8×6.2	8×8	8×10.2	10×10.2	10×12.5	12.5×13.5
A/B±0.2	4.3	5.3	6.6	6.6	8.3	8.3	8.3	10.3	10.3	13.0
D±0.5	4.0	5.0	6.3	6.3	8.0	8.0	8.0	10	10	12.5
E±0.2	1.0	1.3	2.2	2.2	3.1	3.1	3.1	4.5	4.5	5.2
L	5.4±0.3	5.4±0.3	5.4±0.3	7.7±0.3	6.2±0.3	8.0±0.3	10.2±0.5	10.2±0.5	12.5±0.5	13.5±0.5
C±0.2	5.0	6.0	7.3	7.3	9.0	9.0	9.0	11.0	11.0	13.8
W	0.5~0.9				0.8~1.1				1.1~1.4	

抗振动座板:



Size	6.3×7.7	8×10.2	10×10.2	10×12.5	12.5×13.5	12.5×16	16×16.5	16×21.5	18×16.5	18×21.5
A	6.6	8.3	10.3	10.3	13.0	13.0	17	17	19	19
B	6.6	8.3	10.3	10.3	13.45	13.45	17	17	19	19
D	6.3	8.0	10	10	12.5	13.0	17	17	19	19
E±0.2	2.2	3.1	4.5	4.5	5.2	5.2	6.5	6.5	6.5	6.5
L	7.7	10.5	10.5	12.5	13.5	16	16.5	21.5	16.5	21.5
C	7.2	9.0	11.0	11.0	13.8	13.8	18	18	20	20
a	1.4	2.1	4.2	4.2	4.4	4.4	6.0	6.0	6.0	6.0
W	0.5~0.9	0.8~1.1			1.1~1.4					

规格壳号、最大允许纹波电流及阻抗值

Standard sizes & Maximum permissible ripple current & impedance

WV Cap (μ F)	6.3V			10V			16V			25V			35V		
	Φ D×L (mm)	Z max (Ω)	I (mA)	Φ D×L (mm)	Z max (Ω)	I (mA)	Φ D×L (mm)	Z max (Ω)	I (mA)	Φ D×L (mm)	Z max (Ω)	I (mA)	Φ D×L (mm)	Z max (Ω)	I (mA)
4.7										4×5.4	2.2	80	4×5.4	2.2	80
10							4×5.4	2.2	80	4×5.4	2.2	80	5×5.4	1.2	150
22	4×5.4	2.2	80	4×5.4	2.2	80	5×5.4	1.2	150	6.3×5.4	0.58	230	6.3×5.4	0.58	230
33	5×5.4	1.2	150	5×5.4	1.2	150	6.3×5.4	0.58	230	6.3×5.4	0.58	230	6.3×5.4	0.58	230
47	5×5.4	1.2	150	6.3×5.4	0.58	230	5×5.4 6.3×5.4	1.2 0.58	150 230	6.3×5.4 6.3×7.7	0.58 0.34	230 280	6.3×5.4 6.3×7.7	0.58 0.34	230 280
100	6.3×5.4	0.58	230	6.3×7.7	0.34	280	6.3×5.4 6.3×7.7	0.58 0.34	230 280	6.3×7.7 8×6.2	0.34 0.34	280 280	6.3×7.7 8×10.2	0.34 0.17	280 450
150	6.3×5.4	0.58	230	6.3×7.7	0.34	280	6.3×7.7	0.34	280	8×10.2	0.17	450	8×10.2	0.17	450
220	6.3×5.4 6.3×7.7	0.58 0.34	243 280	6.3×7.7	0.34	280	6.3×7.7 8×10.2	0.34 0.17	384 450	8×8 8×10.2	0.30 0.17	405 450	8×10.2 10×10.2	0.17 0.10	587 670
330	6.3×7.7	0.34	280	8×10.2	0.17	450	8×10.2	0.17	450	10×10.2	0.10	670	10×10.2	0.10	670
470	6.3×7.7 8×10.2	0.34 0.17	280 450	8×10.2	0.17	450	8×10.2 10×10.2	0.17 0.10	450 670	10×10.2	0.10	670	10×12.5 12.5×13.5	0.10 0.06	935 1100
1000	8×10.2 10×10.2	0.17 0.10	450 670	10×10.2	0.10	670	10×10.2 10×12.5	0.10 0.10	670 730	12.5×13.5	0.06	1100			
1500	10×10.2	0.10	670	12.5×13.5	0.06	1100	12.5×13.5	0.06	1100						
2200	12.5×13.5	0.06	1100	12.5×13.5	0.06	1100									
2700	12.5×13.5	0.06	1100												

WV Cap (μ F)	50V			63V			80V			100V		
	Φ D×L (mm)	Z max (Ω)	I (mA)	Φ D×L (mm)	Z max (Ω)	I (mA)	Φ D×L (mm)	Z max (Ω)	I (mA)	Φ D×L (mm)	Z max (Ω)	I (mA)
1.0	4×5.4	2.9	60									
2.2	4×5.4	2.9	60									
3.3	4×5.4	2.9	60				5×5.4	5.0	25			
4.7	5×5.4	1.52	85	5×5.4	3.0	50	6.3×5.4	3.0	40			
10	6.3×5.4	0.88	165	6.3×5.4 6.3×7.7	1.5 1.2	80 120	6.3×7.7	2.4	60			
15										8×8	1.2	135
22	6.3×5.4 6.3×7.7	0.88 0.68	165 185	6.3×7.7 8×6.2	1.2 1.2	120 120	8×10.2	1.3	130	8×10.2	1.0	150
33	6.3×7.7	0.68	185	8×10.2	0.65	250	8×10.2	1.3	130	10×10.2	0.7	200
47	6.3×7.7 8×10.2	0.68 0.34	185 300	8×10.2	0.65	250	10×10.2	0.7	200	10×10.2 10×12.5	0.7 0.7	200 220
68	8×10.2	0.34	342	8×10.2	0.65	250						
100	8×10.2 10×10.2	0.34 0.20	300 500	10×10.2 10×12.5	0.35 0.35	400 435	12.5×13.5	0.18	550			
220	10×10.2	0.20	670	12.5×13.5	0.16	600						
330	12.5×13.5	0.12	900									

I~额定纹波电流 Rated ripple current: (mA, 105°C, 100KHz) ; Z 阻抗值 Impedance: (Ω , 20°C, 100KHz)

单击下面可查看定价，库存，交付和生命周期等信息

[>>HEADCON](#)