

Features

- Small-sized, large capacity
- Wider temperature range(-25~70°C) than battery makes periodic change unnecessary

Applications

- Memory back-up for Video, Audio, Cameras, CCTV, Printer, Camcorder, Telephones, Car stereo, e-meter, toy, Computer, Notebook PC, Rice cooker, home network etc



V-TYPE



H-TYPE

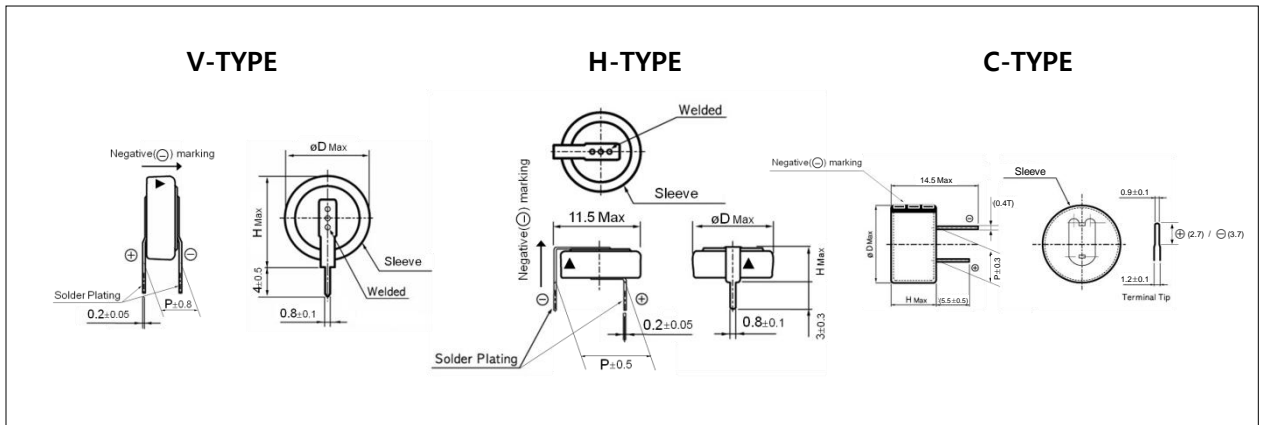


C-TYPE

Specifications

Items	Characteristics
Rated working voltage	5.5VDC
Operating temperature	-25 to +70°C
Nominal Cap. range	0.047 to 0.22F
Capacitance tolerance	-20% to +80%(at 25°C)
Low temperature(-25°C) characteristics	Capacitance change : $\leq 50\%$ of the initial value at +25°C Internal resistance : Less than five times of the initial value at +25°C
Endurance	After 1,000hours application of rated DC working voltage at +70°C, the capacitor shall meet the following limits. <ul style="list-style-type: none"> • Capacitance change : $\pm 30\%$ of the initial value • Internal resistance : Less than four times of the initial value
Shelf life	After 1,000hours storage at +70°C without load, the capacitor shall meet the specified limit for "Endurance"

Dimensions in mm(not to scale)



Standard products

Part Number	Operating Voltage (V)	Capacitance (F)	ESR (Ω , @1kHz)	V type(mm)			H type(mm)			C type(mm)		
				ϕD	H	P	ϕD	H	P	ϕD	H	P
DCM 5R5 473	5.5	0.047	≤ 75	10.8	13.0	5.0	10.8	6.0	10.0	13.5	7.0	5.0
DCM 5R5 104		0.10	≤ 75	10.8	13.0	5.0	10.8	6.0	10.0	13.5	7.0	5.0
DCM 5R5 224		0.22	≤ 75	10.8	13.0	5.0	10.8	6.0	10.0	13.5	7.0	5.0

Note : It is not allowed to go through reflow (IR, Atmosphere heating methods etc.) process

Features

- Small-sized, large capacity
- Wide operating temperature range up to +85°C(-25~85°C)

Applications

- Memory back-up for Video, Audio, Cameras, CCTV, Printer, Camcorder, Telephones, Car stereo, e-meter, toy, Computer, Notebook PC, Rice cooker, Home network etc



V-TYPE



H-TYPE

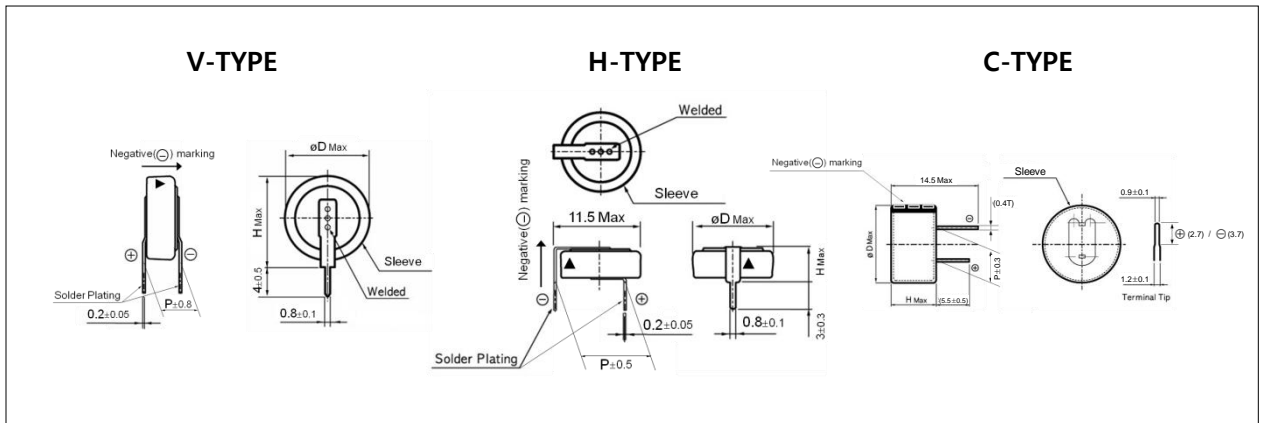


C-TYPE

Specifications

Items	Characteristics
Maximum operating voltage	3.6VDC
Operating temperature	-25 to +85°C
Nominal Cap. range	0.047 to 0.22F
Capacitance tolerance	-20% to +80%(at 25°C)
Characteristics at Low temperature(-25°C)	Capacitance change : ≤ 50% of the initial value at +25°C Internal resistance : Less than five times of the initial value at +25°C
Endurance	After 1,000hours application of rated DC working voltage at +85°C, the capacitor shall meet the following limits. <ul style="list-style-type: none"> • Capacitance change : ±30% of the initial value • Internal resistance : Less than four times of the initial value
Shelf life	After 1,000hours storage at +85°C without load, the capacitor shall meet the specified limit for "Endurance"

Dimensions in mm(not to scale)



Standard products

Part Number	Operating Voltage (V)	Capacitance (F)	ESR (Ω, @1kHz)	V type(mm)			H type(mm)			C type(mm)		
				ΦD	H	P	ΦD	H	P	ΦD	H	P
DCMT 3R6 473	3.6	0.047	≤ 75	10.8	13.0	5.0	10.8	6.0	10.0	13.5	7.0	5.0
DCMT 3R6 104		0.10	≤ 75	10.8	13.0	5.0	10.8	6.0	10.0	13.5	7.0	5.0
DCMT 3R6 224		0.22	≤ 75	10.8	13.0	5.0	10.8	6.0	10.0	13.5	7.0	5.0

Note : It is not allowed to go through reflow (IR, Atmosphere heating methods etc.) process

| Features |

- Small-sized, large capacity
- Wide operating temperature range up to +85°C(-25~85°C)

| Applications |

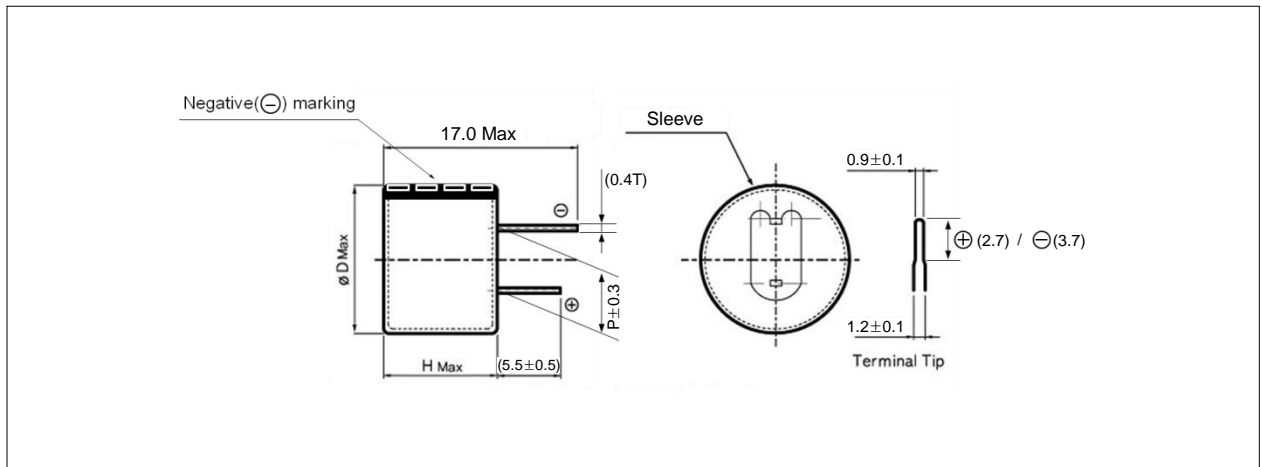
- Memory back-up for Video, Audio, Cameras, CCTV, Printer, Camcorder, Telephones, Car stereo, E-meter, Toy, Computer, Notebook PC, Rice cooker, Home network etc



| Specifications |

Items	Characteristics
Maximum operating voltage	5.5VDC
Operating temperature	-25 to +85°C
Nominal Cap. range	0.1F
Capacitance tolerance	-20% to +80%(at 25°C)
Characteristics at Low temperature(-25°C)	Capacitance change : ≤ 50% of the initial value at +25°C Internal resistance : Less than five times of the initial value at +25°C
Endurance	After 1,000hours application of rated DC working voltage at +85°C, the capacitor shall meet the following limits. <ul style="list-style-type: none"> • Capacitance change : ±30% of the initial value • Internal resistance : Less than four times of the initial value
Shelf life	After 1,000hours storage at +85°C without load, the capacitor shall meet the specified limit for "Endurance"

| Dimensions in mm(not to scale) |



| Standard products |

Part Number	Operating Voltage (V)	Capacitance (F)	ESR (Ω, @1kHz)	ΦD×H×P (mm)
DCMT 5R5 104	5.5	0.10	≤ 120	13.5×9.5×5.0

Note : It is not allowed to go through reflow (IR, Atmosphere heating methods etc.) process

| Features |

- Small-sized, large capacity
- Wide operating voltage range up to 6.3V

| Applications |

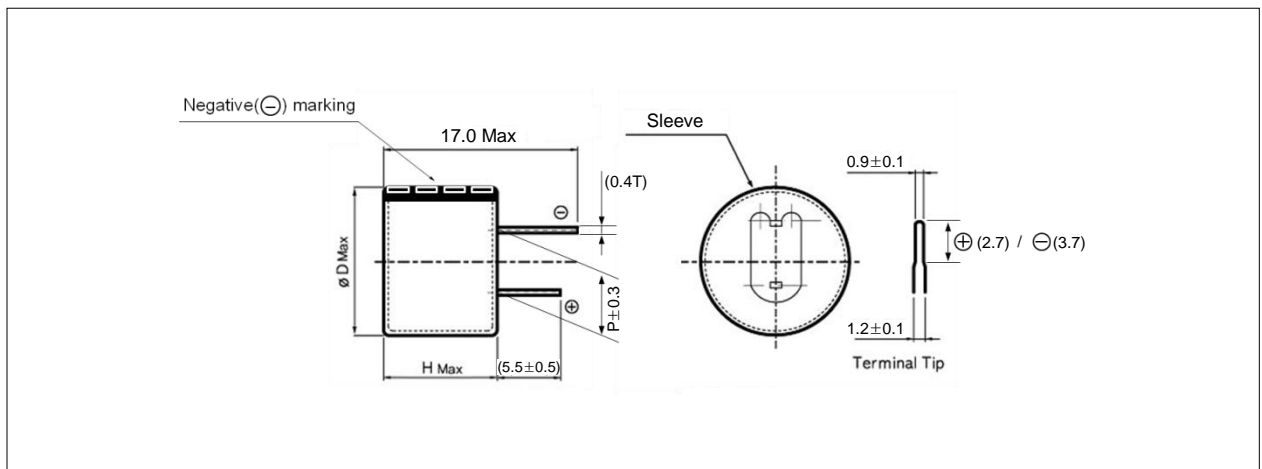
- Memory back-up for Video, Audio, Cameras, CCTV, Printer, Camcorder, Telephones, Car stereo, E-meter, Toy, Computer, Notebook PC, Rice cooker, Home network etc



| Specifications |

Items	Characteristics
Maximum operating voltage	6.3VDC
Operating temperature	-25 to +70°C
Nominal Cap. range	0.1F
Capacitance tolerance	-20% to +80%(at 25°C)
Characteristics at Low temperature(-25°C)	Capacitance change : ≤ 50% of the initial value at +25°C Internal resistance : Less than five times of the initial value at +25°C
Endurance	After 1,000hours application of rated DC working voltage at +70°C, the capacitor shall meet the following limits. <ul style="list-style-type: none"> • Capacitance change : ±30% of the initial value • Internal resistance : Less than four times of the initial value
Shelf life	After 1,000hours storage at +70°C without load, the capacitor shall meet the specified limit for "Endurance"

| Dimensions in mm(not to scale) |



| Standard products |

Part Number	Operating Voltage (V)	Capacitance (F)	ESR (Ω, @1kHz)	ΦD×H×P (mm)
DCMH 6R3 104	6.3	0.10	≤ 120	13.5×9.5×5.0

Note : It is not allowed to go through reflow (IR, Atmosphere heating methods etc.) process

单击下面可查看定价，库存，交付和生命周期等信息

[>>Chipcell](#)