



Application Note: SY8121B

High Efficiency Fast Response, 2A, 18V Input 1.2MHz Synchronous Step Down Regulator

General Description

SY8121B develops high efficiency synchronous step-down DC-DC converter capable of delivering 2A load current. SY8121B operates over a wide input voltage range from 4.5V to 18V and integrates main switch and synchronous switch with very low $R_{DS(ON)}$ to minimize the conduction loss.

SY8121B always operates under continuous condition mode, low output ripple and small inductor and capacitor size are achieved with 1.2MHz switching frequency.

Ordering Information

SY8121
 Temperature Code
 Package Code
 Optional Spec Code

Ordering Number	Package type	Note
SY8121BABC	SOT23-6	--

Features

- Low $R_{DS(ON)}$ for internal switches (top/bottom):170/160 m Ω
- 4.5-18V input voltage range
- 2A load current capability
- Instant PWM architecture to achieve fast transient responses
- Internal softstart limits the inrush current
- 2% 0.6V reference
- RoHS Compliant and Halogen Free
- Compact package: SOT23-6

Applications

- Set Top Box
- Portable TV
- Access Point Router
- DSL Modem
- LCD TV

Typical Applications

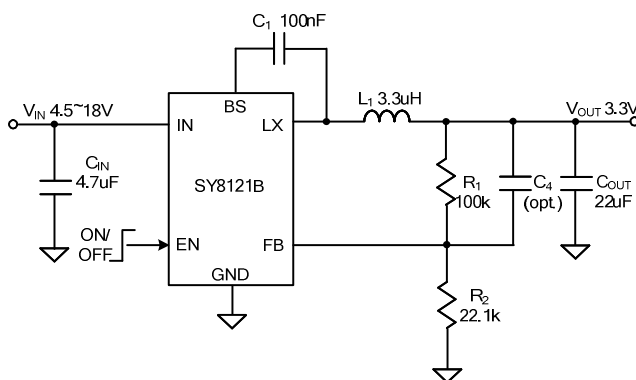


Figure 1. Schematic Diagram

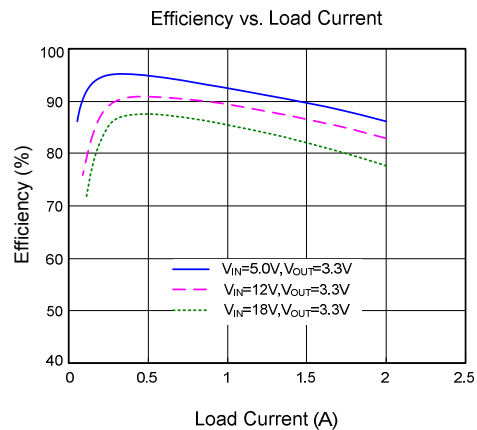
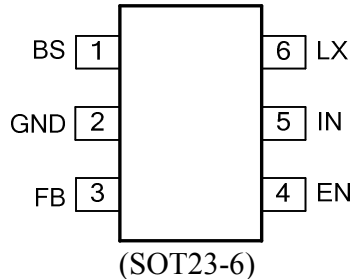


Figure 2. Efficiency Figure

Pinout (top view)



Top Mark: TVxyz for SY8121BABC, (Device code: TV, *x*=year code, *y*=week code, *z*=lot number code)

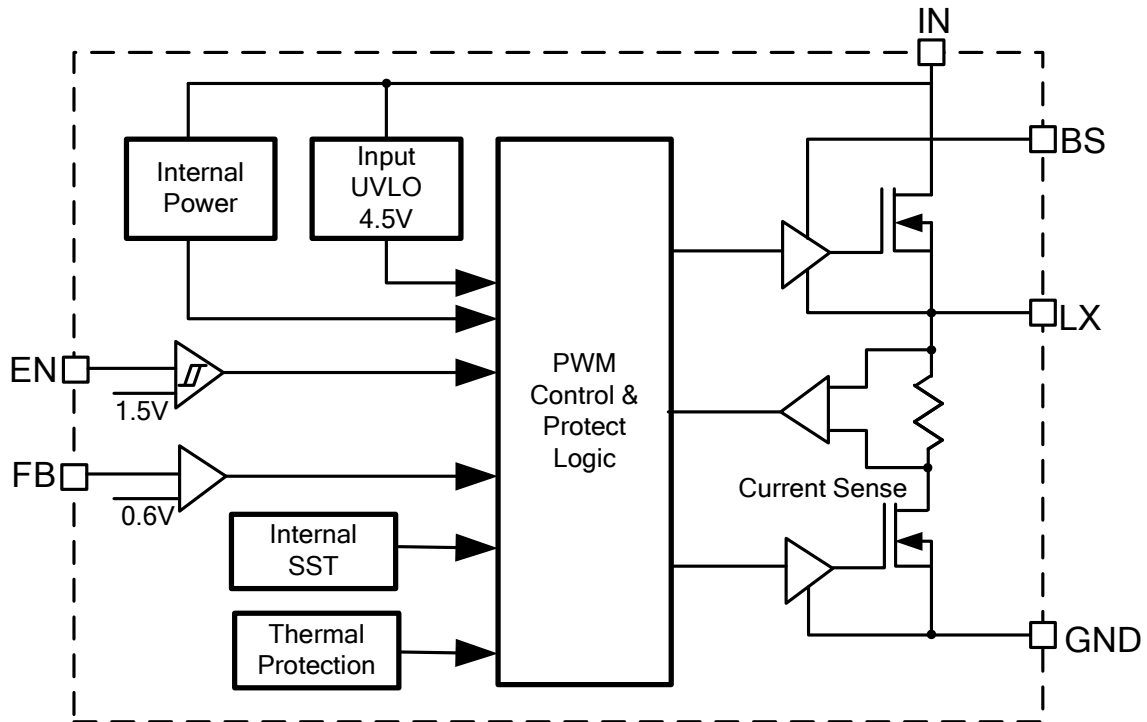
Pin Name	SOT23-6	Pin Description
BS	1	Boot-Strap Pin. Supply high side gate driver. Decouple this pin to LX pin with 0.1uF ceramic cap.
GND	2	Ground pin
FB	3	Output Feedback Pin. Connect this pin to the center point of the output resistor divider (as shown in Figure 1) to program the output voltage: $V_{OUT}=0.6*(1+R1/R2)$
EN	4	Enable control. Pull high to turn on. Do not float.
IN	5	Input pin. Decouple this pin to GND pin with at least 1uF ceramic cap
LX	6	Inductor pin. Connect this pin to the switching node of inductor

Absolute Maximum Ratings (Note 1)

Supply Input Voltage	-----	21V
LX, EN Voltage	-----	$V_{IN} + 0.3V$
FB, BS-LX Voltage	-----	4V
Power Dissipation, $P_D @ T_A = 25^\circ C$ SOT23-6,	-----	1W
Package Thermal Resistance (Note 2)		
θ_{JA}	-----	100°C/W
θ_{JC}	-----	25°C/W
Junction Temperature Range	-----	150°C
Lead Temperature (Soldering, 10 sec.)	-----	260°C
Storage Temperature Range	-----	-65°C to 150°C

Recommended Operating Conditions (Note 3)

Supply Input Voltage	-----	4.5V to 18V
Junction Temperature Range	-----	-40°C to 125°C
Ambient Temperature Range	-----	-40°C to 85°C

Block Diagram

**Electrical Characteristics**

($V_{IN} = 12V$, $V_{OUT} = 1.2V$, $L = 2.2\mu H$, $C_{OUT} = 10\mu F$, $T_A = 25^\circ C$, $I_{OUT} = 1A$ unless otherwise specified)

Parameter	Symbol	Test Conditions	Min	Typ	Max	Unit
Input Voltage Range	V_{IN}		4.5		18	V
Shutdown Current	I_{SHDN}	EN=0		5	10	μA
Feedback Reference Voltage	V_{REF}		0.588	0.6	0.612	V
FB Input Current	I_{FB}	$V_{FB} = V_{IN}$	-50		50	nA
Top FET RON	$R_{DS(ON)1}$			0.17		Ω
Bottom FET RON	$R_{DS(ON)2}$			0.16		Ω
Bottom FET Valley Current Limit	I_{LIM}		2		3.45	A
EN Rising Threshold	V_{ENH}		1.5			V
EN Falling Threshold	V_{ENL}				0.4	V
Input UVLO Threshold	V_{UVLO}				4.5	V
Switching Frequency	F_{SW}			1.2		MHz
Min ON Time				50		ns
Min Off Time				100		ns
Thermal Shutdown Temperature	T_{SD}			150		$^\circ C$
Thermal Shutdown Hysteresis	T_{HYS}			15		$^\circ C$

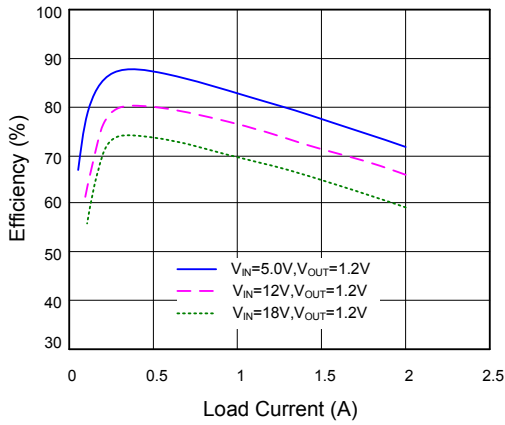
Note 1: Stresses beyond “Absolute Maximum Ratings” may cause permanent damage to the device. These are for stress ratings. Functional operation of the device at these or any other conditions beyond those indicated in the operational sections of the specifications is not implied. Exposure to absolute maximum rating conditions may affect device reliability.

Note 2: θ_{JA} is measured in the natural convection at $T_A = 25^\circ C$ on a high effective thermal conductivity four-layer test board per JEDEC 51-7. Pin 2 of SOT-23-6 packages is the case position for θ_{JC} measurement.

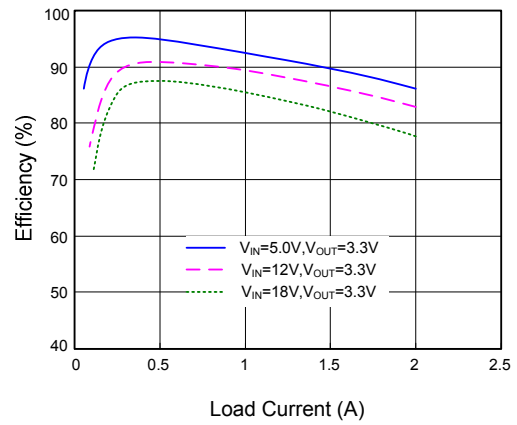
Note 3: The device is not guaranteed to function outside its operating conditions.

Typical Performance Characteristics

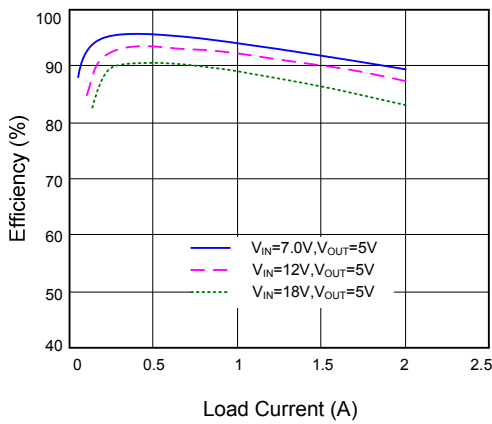
Efficiency vs. Load Current



Efficiency vs. Load Current

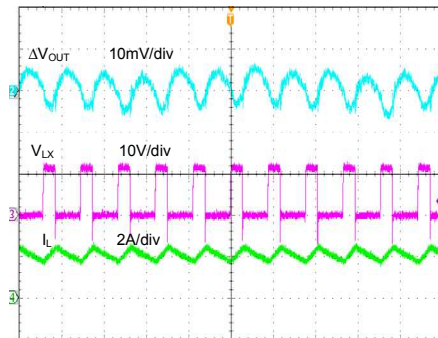


Efficiency vs. Load Current



Output Ripple

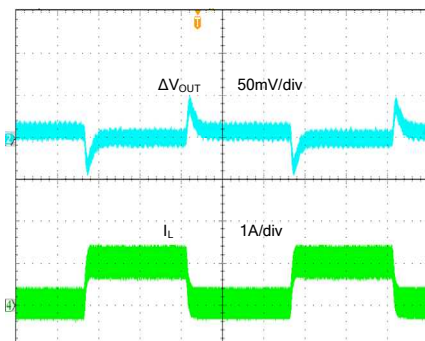
($V_{IN}=12V, V_{OUT}=3.3V, I_{LOAD}=2A$)



Time (1 μ s/div)

Load Transient

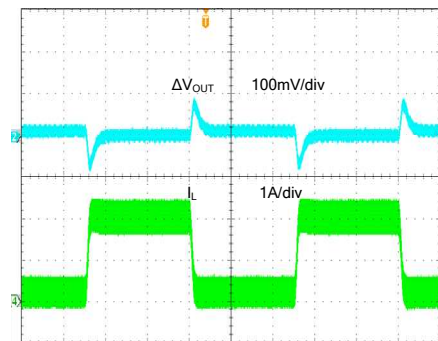
($V_{IN}=12V, V_{OUT}=3.3V, I_{LOAD}=Null \sim 1A$)



Time (200 μ s/div)

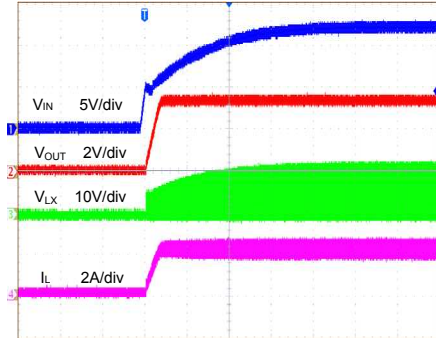
Load Transient

($V_{IN}=12V, V_{OUT}=3.3V, I_{LOAD}=0.2 \sim 2A$)



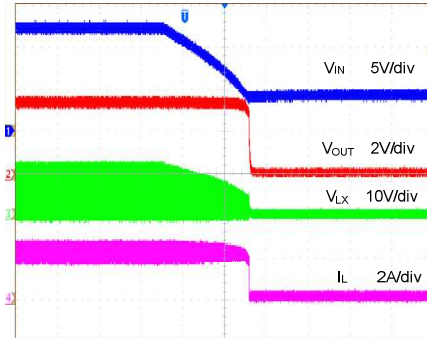
Time (200 μ s/div)

Startup from V_{IN}
($V_{IN}=12V$, $V_{OUT}=3.3V$, $I_{LOAD}=2A$)



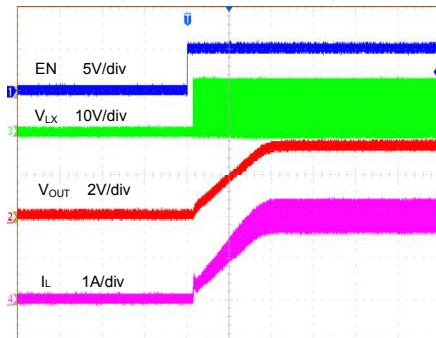
Time (2ms/div)

Shutdown from V_{IN}
($V_{IN}=12V$, $V_{OUT}=3.3V$, $I_{LOAD}=2A$)



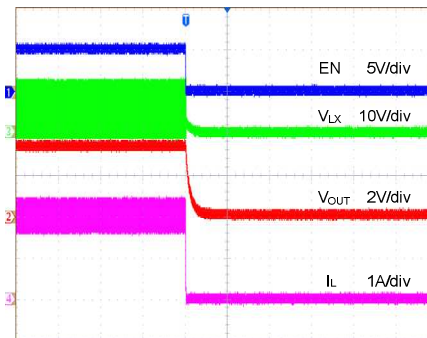
Time (2ms/div)

Startup from Enable
($V_{IN}=12V$, $V_{OUT}=3.3V$, $I_{LOAD}=2A$)



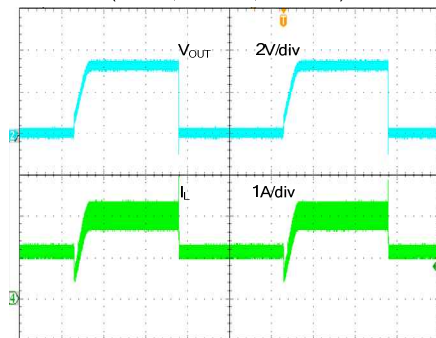
Time (400 μ s/div)

Shutdown from Enable
($V_{IN}=12V$, $V_{OUT}=3.3V$, $I_{LOAD}=2A$)



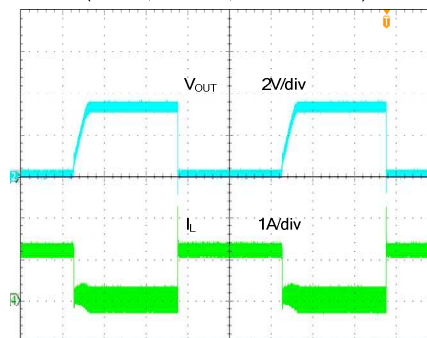
Time (400 μ s/div)

Hard Short Protection
($V_{IN}=12V$, $V_{OUT}=3.3V$, 2A to Short)



Time (2ms/div)

Hard Short Protection
($V_{IN}=12V$, $V_{OUT}=3.3V$, Null Load to Short)



Time (2ms/div)

Operation

SY8121B is a synchronous buck regulator IC that integrates the PWM control, top and bottom switches on the same die to minimize the switching loss and conduction loss. With ultra low $R_{DS(ON)}$ power switches and proprietary PWM control, this regulator IC can achieve high efficiency and fast transient response. High switch frequency minimizes the external inductor and capacitor size, and thus achieving the minimum solution footprint.

SY8121B also features cycle by cycle current limiting, output short circuit protection and thermal shutdown protection.

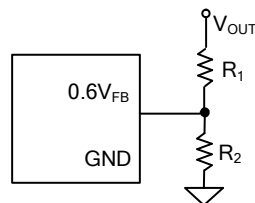
Applications Information

Because of the high integration in the SY8121B IC, the application circuit based on this regulator IC is rather simple. Only input capacitor C_{IN} , output capacitor C_{OUT} , output inductor L and feedback resistors (R_1 and R_2) need to be selected for the targeted applications specifications.

Feedback resistor dividers R_1 and R_2 :

Choose R_1 and R_2 to program the proper output voltage. To minimize the power consumption under light loads, it is desirable to choose large resistance values for both R_1 and R_2 . A value of between $10k\Omega$ and $1M\Omega$ is highly recommended for both resistors. If V_{OUT} is 3.3V, $R_1=100k$ is chosen, then using following equation, R_2 can be calculated to be 22.1k:

$$R_2 = \frac{0.6V}{V_{OUT} - 0.6V} R_1$$



Input capacitor C_{IN} :

The ripple current through input capacitor is calculated as:

$$I_{CIN_RMS} = I_{OUT} \cdot \sqrt{D(1-D)}$$

To minimize the potential noise problem, place a typical X5R or better grade ceramic capacitor really close to the IN and GND pins. Care should be taken to minimize the loop area formed by C_{IN} , and IN/GND pins. In this case, a 4.7uF low ESR ceramic capacitor is recommended.

Output capacitor C_{OUT} :

The output capacitor is selected to handle the output ripple noise requirements. Both steady state ripple and transient requirements must be taken into consideration when selecting this capacitor. For the best performance, it is recommended to use X5R or better grade ceramic capacitor greater than 22uF capacitance.

Output inductor L :

There are several considerations in choosing this inductor.

- 1) Choose the inductance to provide the desired ripple current. It is suggested to choose the ripple current to be about 40% of the maximum output current. The inductance is calculated as:

$$L = \frac{V_{OUT}(1 - V_{OUT}/V_{IN,MAX})}{F_{SW} \times I_{OUT,MAX} \times 40\%}$$

where F_{sw} is the switching frequency and $I_{OUT,MAX}$ is the maximum load current.

The SY8121B regulator IC is quite tolerant of different ripple current amplitude. Consequently, the final choice of inductance can be slightly off the calculation value without significantly impacting the performance.

- 2) The saturation current rating of the inductor must be selected to be greater than the peak inductor current under full load conditions.

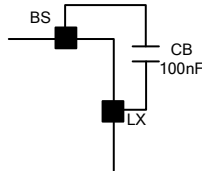
$$I_{SAT,MIN} > I_{OUT,MAX} + \frac{V_{OUT}(1 - V_{OUT}/V_{IN,MAX})}{2 \cdot F_{SW} \cdot L}$$

- 3) The DCR of the inductor and the core loss at the switching frequency must be low enough to achieve the desired efficiency requirement. It is desirable to choose an inductor with $DCR < 50m\Omega$ to achieve a good overall efficiency.

External Bootstrap Cap

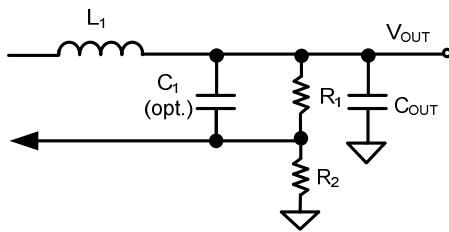
This capacitor provides the gate driver voltage for internal high side MOSEFET. A 100nF low ESR

ceramic capacitor connected between BS pin and LX pin is recommended.



Load Transient Considerations:

The SY8121B regulator IC integrates the compensation components to achieve good stability and fast transient responses. In some applications, adding a 22pF ceramic cap in parallel with R1 may further speed up the load transient responses and is thus recommended for applications with large load transient step requirements.



Layout Design:

The layout design of SY8121B regulator is relatively simple. For the best efficiency and minimum noise problem, we should place the following components close to the IC: C_{IN}, L, R₁ and R₂.

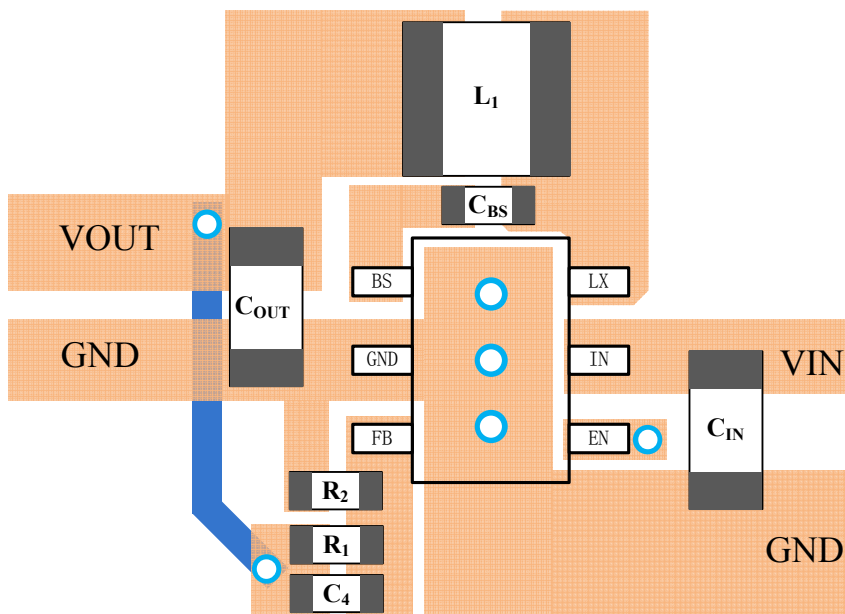
1) It is desirable to maximize the PCB copper area connecting to GND pin to achieve the best thermal and noise performance. If the board space allowed, a ground plane is highly desirable.

2) C_{IN} must be close to Pins IN and GND. The loop area formed by C_{IN} and GND must be minimized.

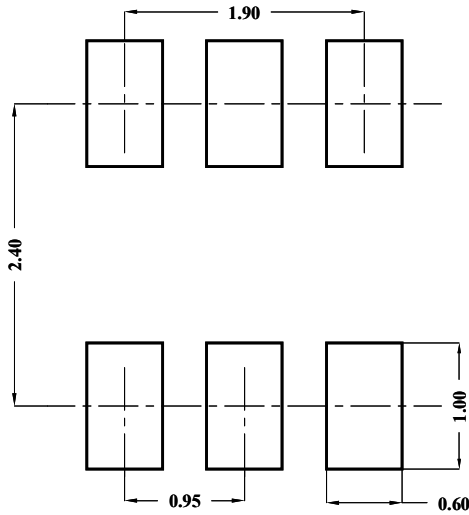
3) The PCB copper area associated with LX pin must be minimized to avoid the potential noise problem.

4) The components R₁ and R₂, and the trace connecting to the FB pin must NOT be adjacent to the LX net on the PCB layout to avoid the noise problem.

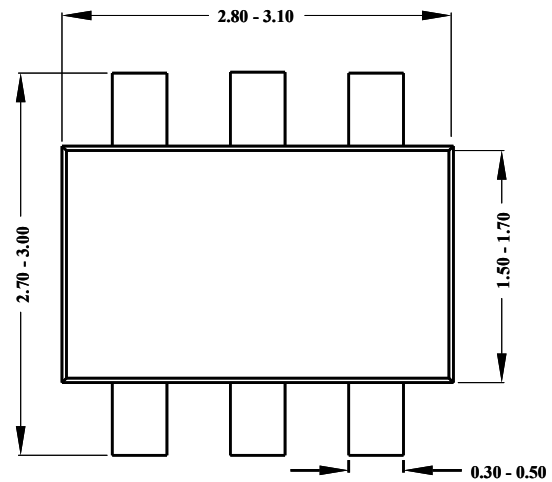
5) If the system chip interfacing with the EN pin has a high impedance state at shutdown mode and the IN pin is connected directly to a power source such as a Li-Ion battery, it is desirable to add a pull down 1Mohm resistor between the EN and GND pins to prevent the noise from falsely turning on the regulator at shutdown mode.



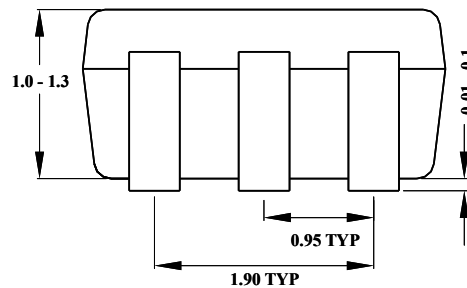
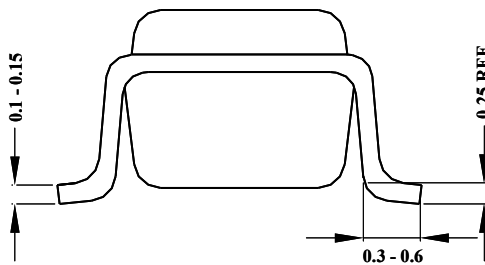
SOT23-6L Package Outline & PCB layout



Recommended Pad Layout



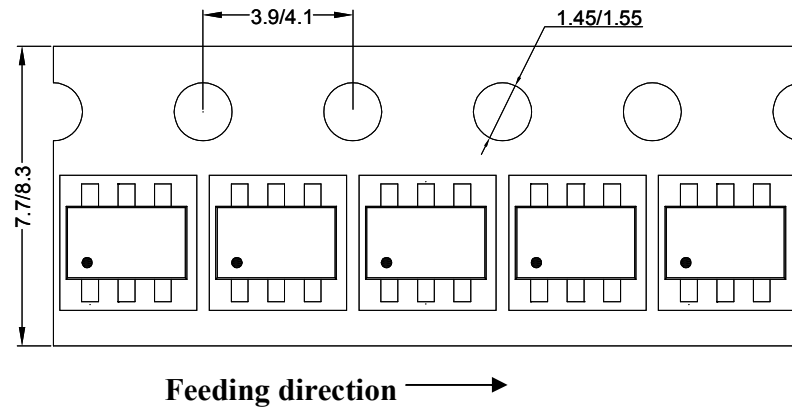
Top View



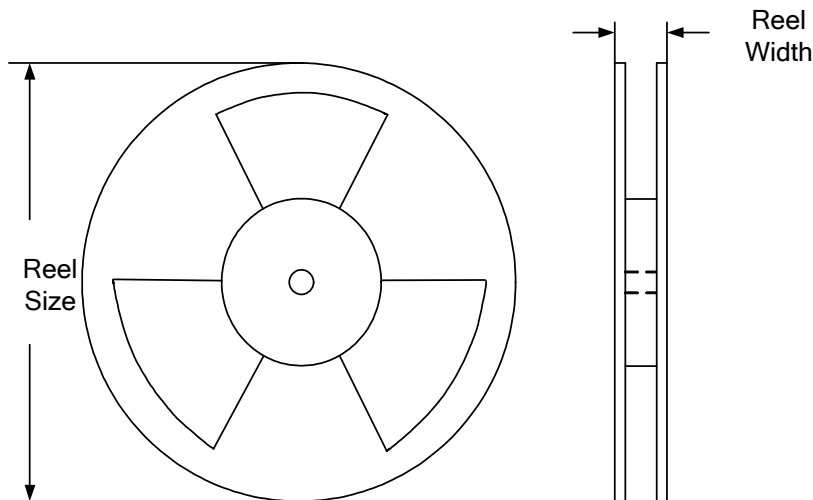
Notes: **All dimension in MM**
 All dimension don't not include mold flash & metal burr

Taping & Reel Specification

1. SOT23-6 taping orientation



2. Carrier Tape & Reel specification for packages



Package types	Tape width (mm)	Pocket pitch(mm)	Reel size (Inch)	Reel width(mm)	Trailer length(mm)	Leader length (mm)	Qty per reel
SOT23-6	8	4	7"	8.4	280	160	3000

3. Others: NA

单击下面可查看定价，库存，交付和生命周期等信息

[>>SILERGY\(矽力杰\)](#)