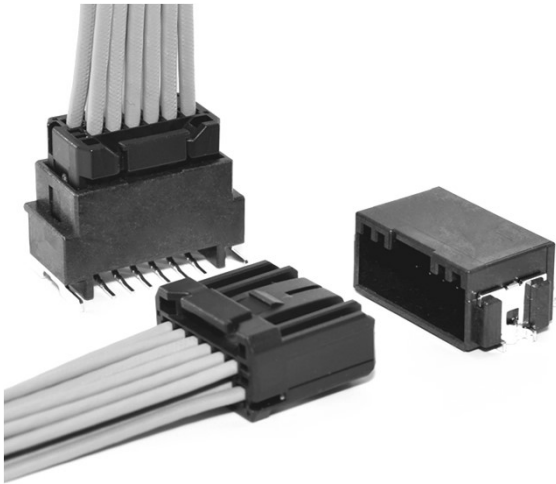
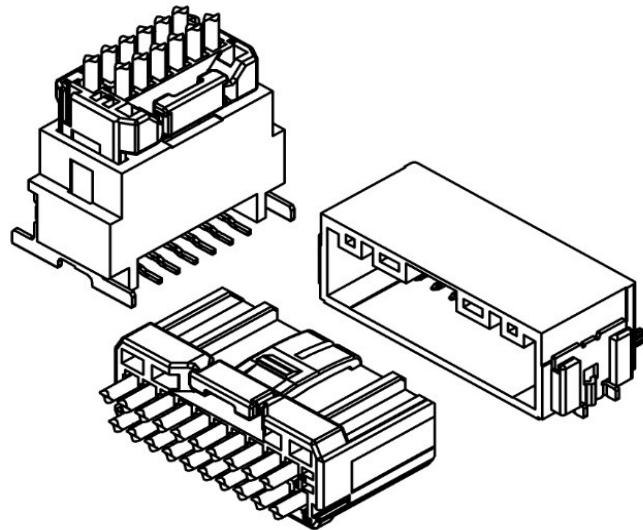


CPM CONNECTOR

Wire-to-Board



Miniaturized and low profile surface mounting type connector for automotive. 0.50 terminal with 2.0 mm pitch realized its miniaturization.



■ Features

● Miniaturized and Low Profile

Miniaturized and low profile automotive connector which pitch is width: 2.0 mm and length: 2.5 mm by using the 0.5 terminal.

● High Heat Resistance 125°C

Conforming a heat resistant temperature of 125°C.

● Lock Flip-up Prevention Mechanism

Low profile connector which has the mechanism to prevent the lock damage by catching the wire cables.

● Conforming to UL94 V-0

Using UL94 V-0 material to meet the increasing market demand of the flame-retardant requirement.

● Same PCB Pattern as CPT

Applying the same PCB layout of CPT connector.

■ Specifications

Item	Standard	Condition
● Current rating	3A AC,DC Max	Applying 0.3mm ²
● Temperature range	-40°C ~ +125°C	Including temperature rise in applying electrical current
● Applicable wire	UL3265 0.3mm ² AESSX 0.3mm ² (Equivalent of AWG#22)	Coating OD: Φ1.5mm max
● Frame resistance	V-0	UL94
● Contact resistance	Initial 25mΩ max After environmental test 25mΩ max	DC 100mA
● Insulation resistance	100MΩ min	DC 500V
● Withstand voltage	No dielectric breakdown	AC 1,000V / min.
● Locking force	110N min	In case pulling to mating direct

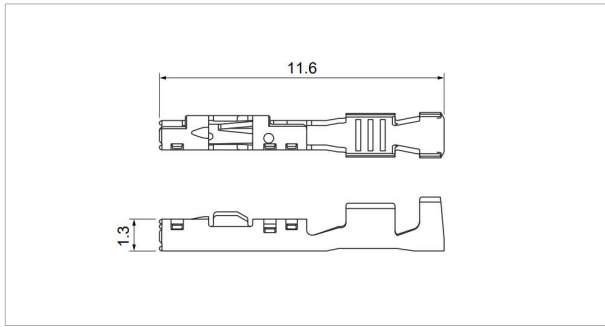
■ Test Result

Item	Test Result	Condition
● Heat resistance	Initial 15mΩ max	Under 125°C, Abandoned for 1,008 hours
● Thermal shock resistance	Initial 15mΩ max	-40°C/125°C 30 min / 1000cyc / each
● Vibration resistance	Initial 15mΩ max	USCAR2 V2

*Compliant with ELV/RoHS2.

*Contact JST for details.

Female Terminal

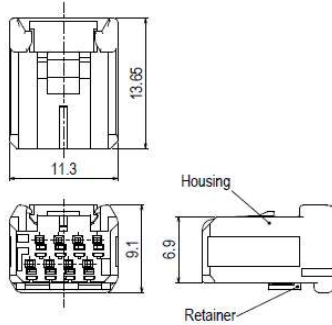


Model No.	Applicable wire range		Q'ty/reel
	Conductor (mm ²)	Insulation O.D. (mm)	
SMEC-A021T-M0.5	0.3	1.5 max.	10,000

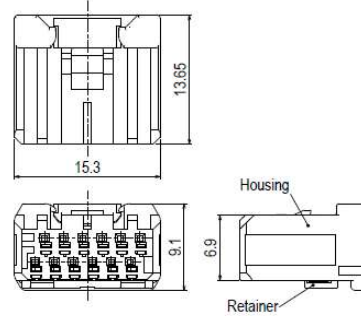
Material and Finish
Copper alloy, tin-plated

Female Connector

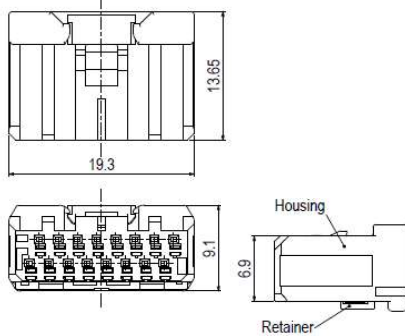
● **8 circuits**



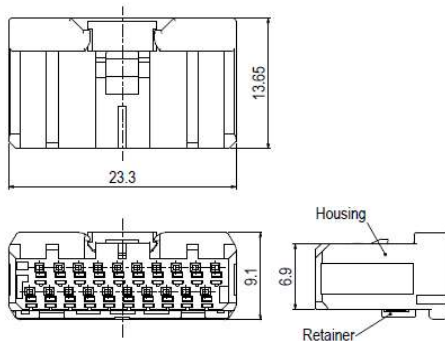
● **12 circuits**



● **16 circuits**



● **20 circuits**



Circuits	Model No.	Housing Color	Q'ty/box
8	08CPM-BVK-2-AA	Black	4,800
12	12CPM-BVK-2-AA	Black	3,600
16	16CPM-BVK-2-AA	Black	2,400
20	20CPM-BVK-2-AA	Black	1,200

Material and Finish

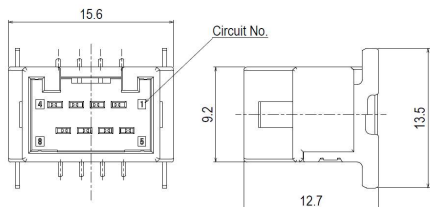
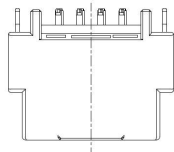
Housing: Glass-filled PBT
Retainer: Glass-filled PBT, Natural (White)

Note: Key codes other than above-mentioned housing are also available. Contact JST for details.

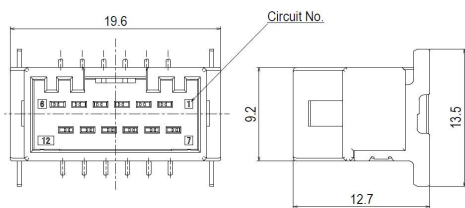
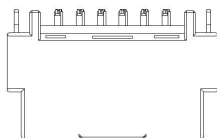
Male Connector

Top Type

● 8 circuits



● 12 circuits



Circuits	Model No.	Housing Color	Q'ty/reel
8	BM08B-CPMK-2AA-TB	Black	1,100
12	BM12B-CPMK-2AA-TB	Black	880

Material and Finish

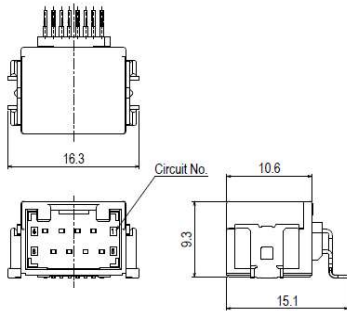
Housing : Glass-filled LCP
 Suction cap : PA9T
 Male Terminal : Copper alloy, tin-plated
 Tab : Copper alloy, tin-plated

Note: Key codes other than above-mentioned housing are also available.
 Contact JST for details.

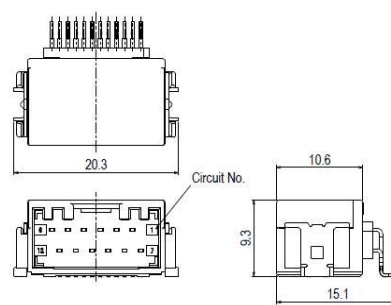
Male Connector

Side Type

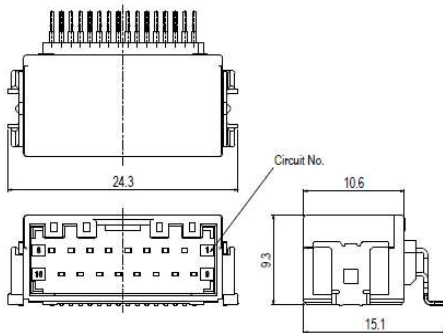
● 8 circuits



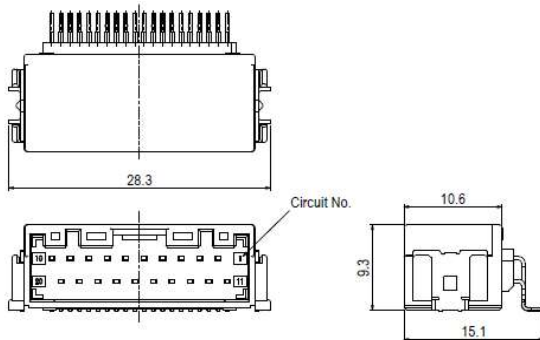
● 12 circuits



● 16 circuits



● 20 circuits



Circuits	Model No.	Housing Color	Q'ty/reel
8	SM08B-CPMK-2AA-TB	Black	1,600
12	SM12B-CPMK-2AA-TB	Black	1,280
16	SM16B-CPMK-2AA-TB	Black	1,280
20	SM20B-CPMK-2AA-TB	Black	1,280

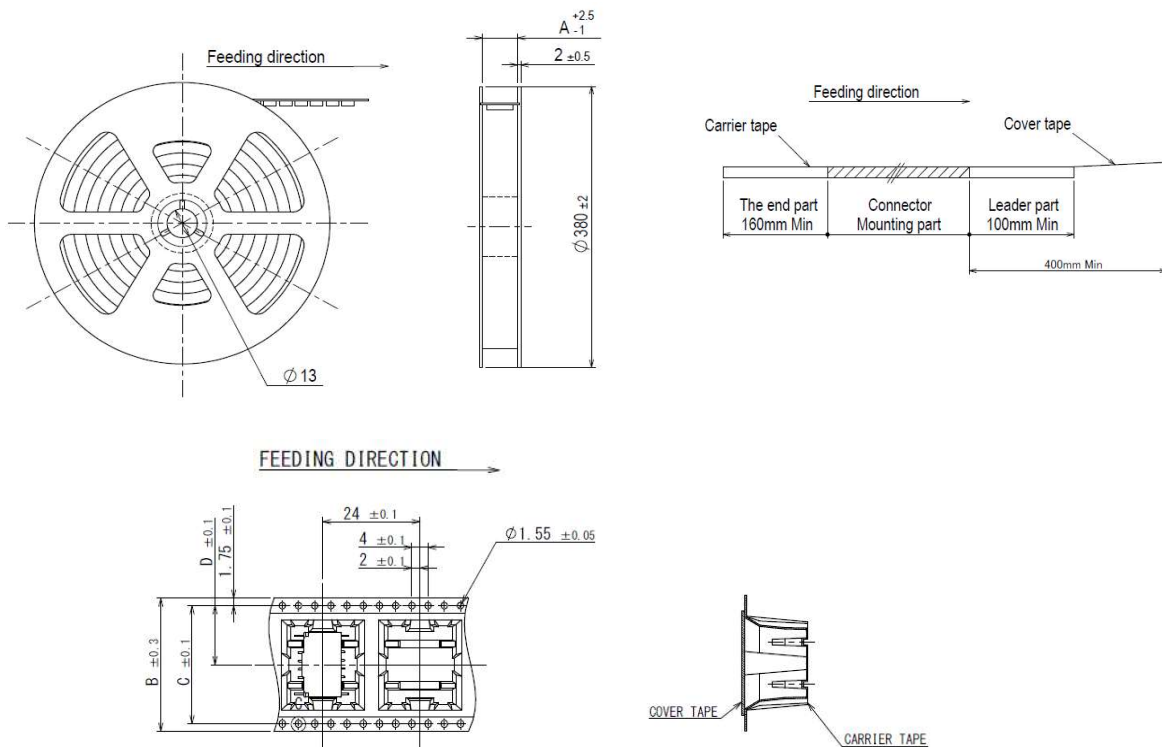
Material and Finish

Housing : Glass-filled LCP
 Male Terminal : Copper alloy, tin-plated
 Tab : Copper alloy, tin-plated

Note: Key codes other than above-mentioned housing are also available.
 Contact JST for details.

Taping Specification Top Type

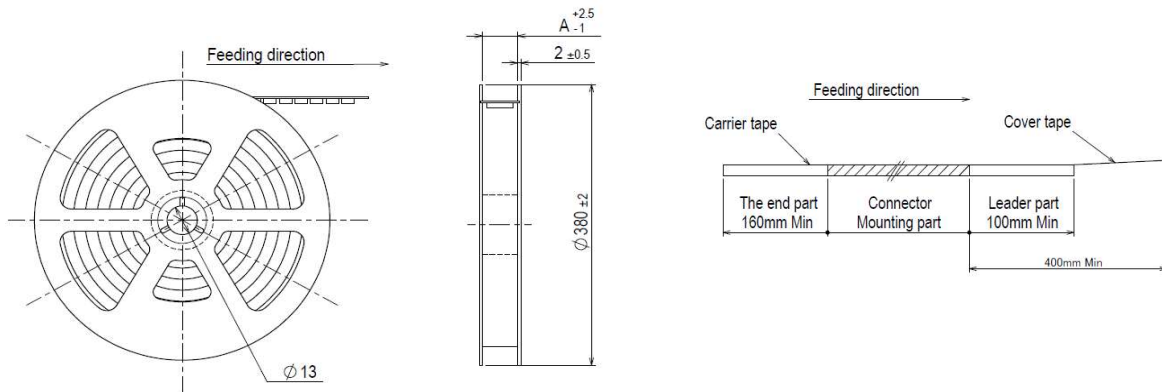
● 8, 12 circuits



Circuits	A	B	C	D
8	33.4	32	28.4	14.2
12	45.4	44	40.4	20.2

Taping Specification Side Type

● 8, 12, 16, 20 circuits



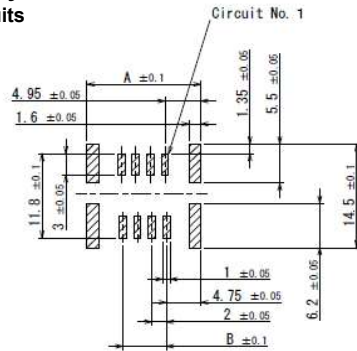
Circuits	A	B	C	D
8	33.4	32	28.4	14.2
12~20	45.4	44	40.4	20.2

PC board layout (Viewed from component side), Assembly layout

Top Type

PC board layout

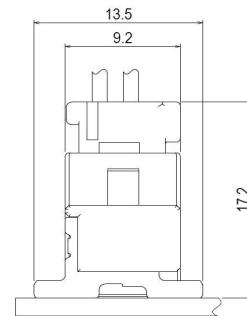
● 8, 12 circuits



Circuits	A	B
8	15.7	6
12	19.7	10

Assembly layout

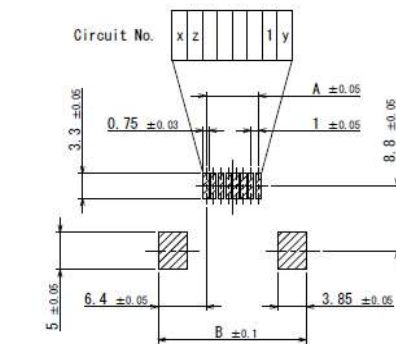
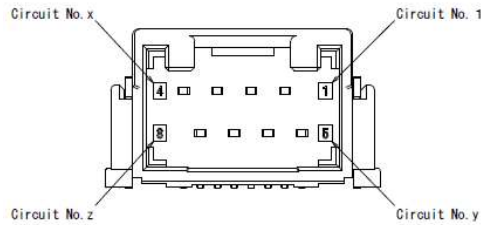
● 8, 12 circuits



Side Type

PC board layout

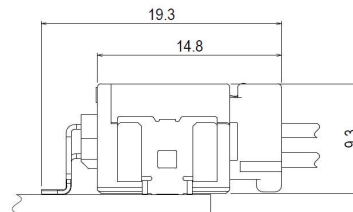
● 8, 12, 16, 20 circuits



Circuits	A	B
8	7	19.8
12	11	23.8
16	15	27.8
20	19	31.8

Assembly layout

● 8, 12, 16, 20 circuits



Crimping machine, Applicator

Strip terminal	Crimping machine	Crimp applicator MKS-L	
		Dies	Crimp applicator with dies
SMEC-A021T-M0.5	AP-K2N	MK/SMEC-A021-05	APLMK SMEC-A021-05

Note: 1. Contact JST for details.

2. When crimping operation is conducted using an applicator and die set other than the above, JST cannot guarantee the performance of the terminal.

单击下面可查看定价，库存，交付和生命周期等信息

[>>JST\(杰世腾\)](#)